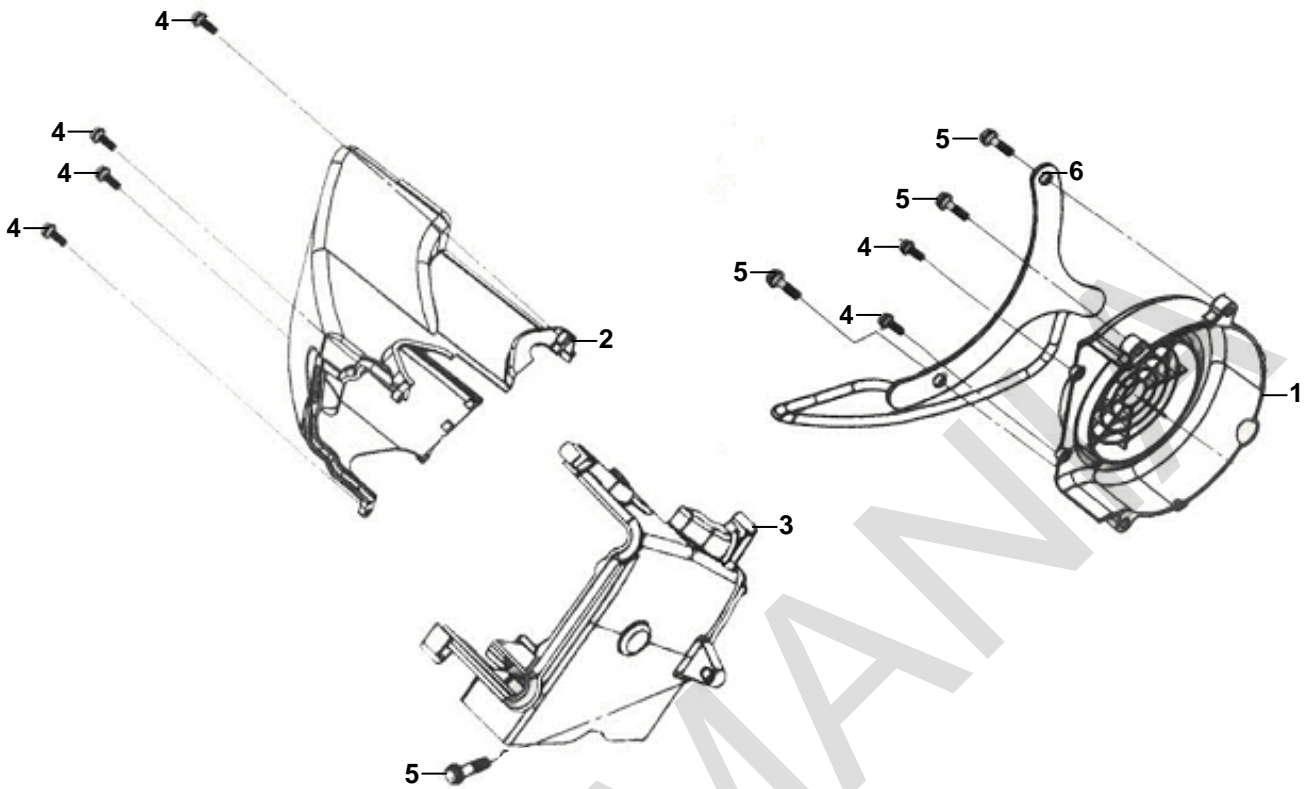
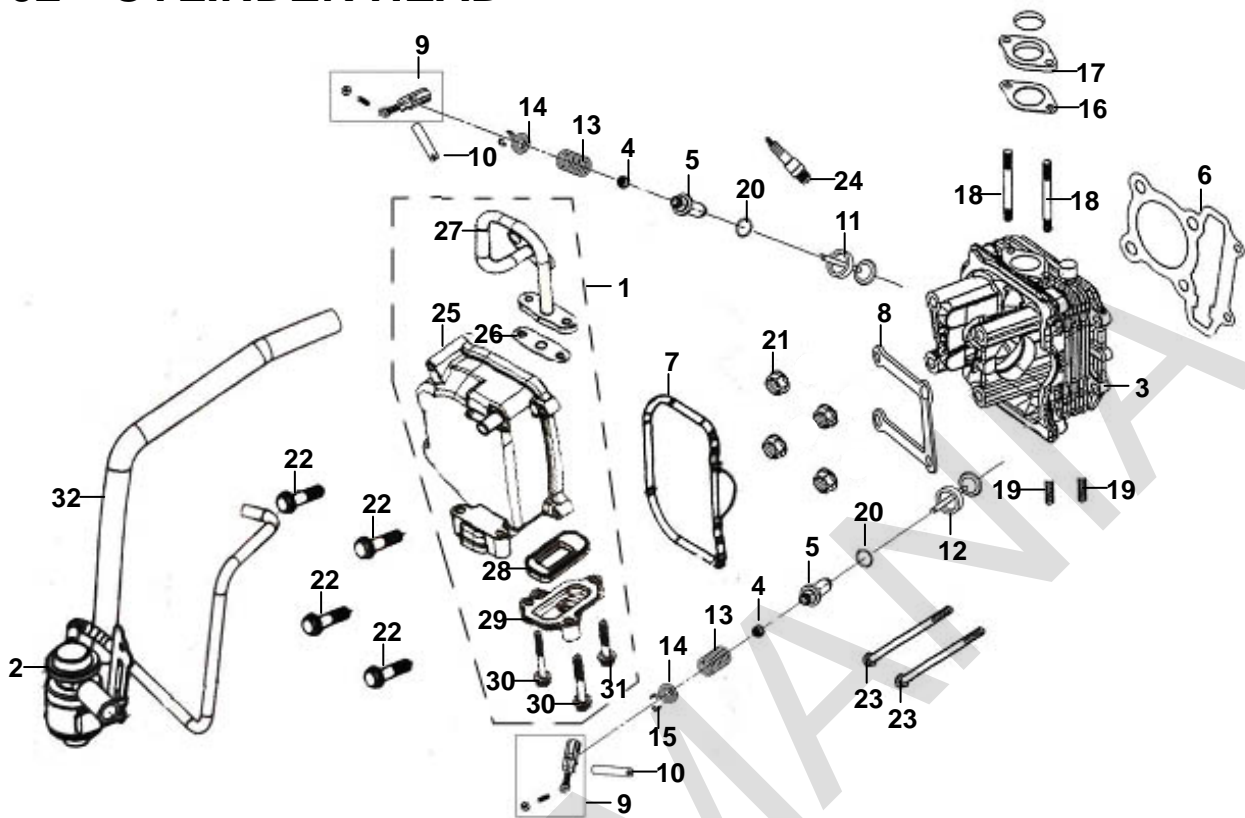


E-01 SHROUD ASSY



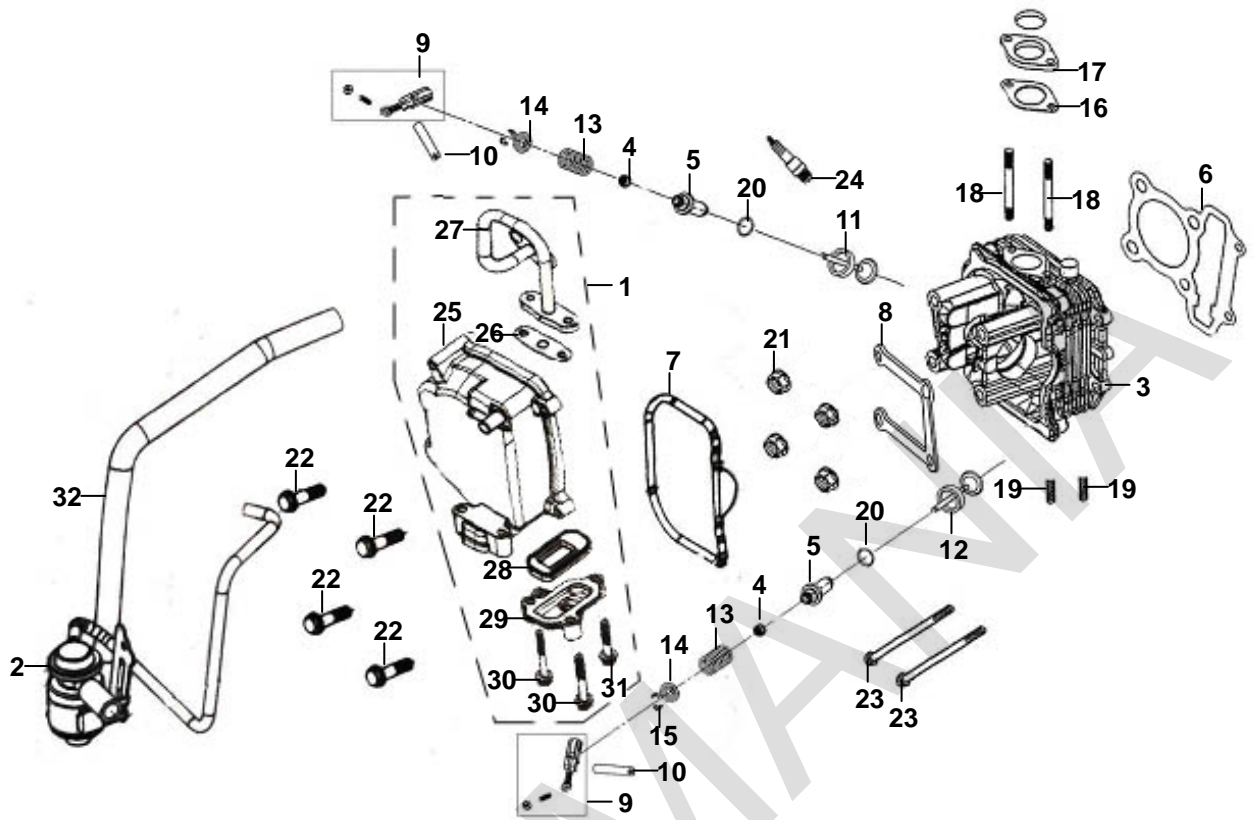
Ref. No	Part Number	Description	Reqd. No.
1	19610-ANL-0000	Fan cover COMP.	1
2	1962A-AFA-0000	Shroud A ASSY.	1
3	1963A-F6A-0001	Shroud B ASSY.	1
4	93904-35380	Tapping screw 5*16	6
5	96001-06028-08	SH. flange bolt 6*28	4
6	18241-F6S-0000	EXH. pipe protector	1

E-02 CYLINDER HEAD



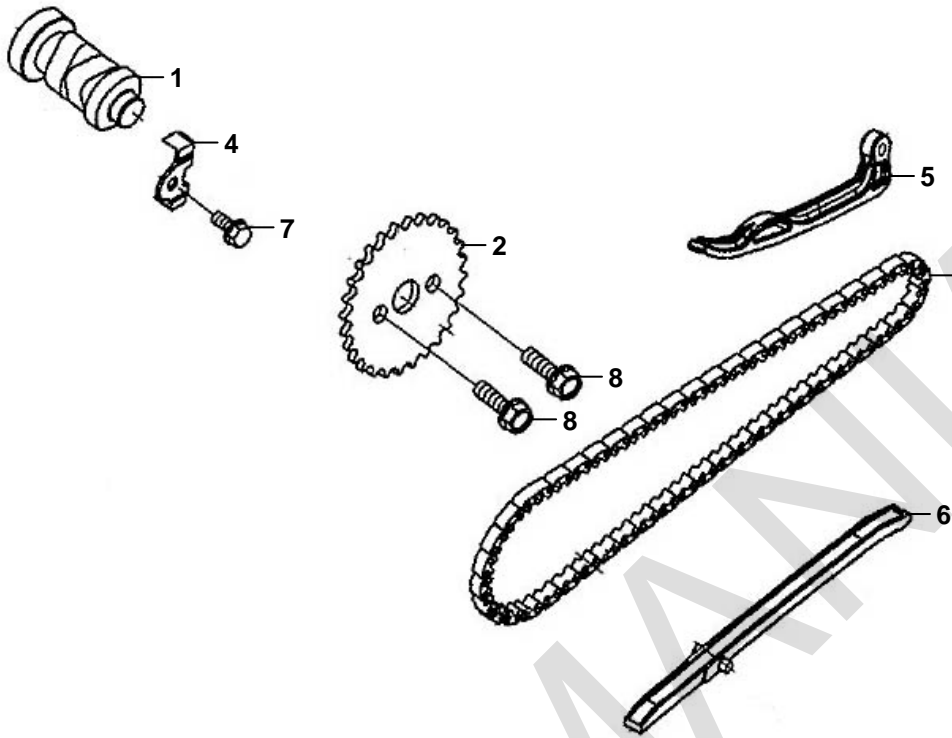
Ref.No	Part Number	Description	Reqd. No.
1	1230A-ARA-0012	Cylinder head cover ASSY.	1
2	1865A-ANA-6001	A.I.C.V. ASSY.	1
3	12200-ARA-0005	Cylinder head COMP.	1
4	12209-H6B-9000	Valve stem seal	2
5	12237-F6A-3000	Valve guide	2
6	12251-H7A-0000	Cylinder head gasket	1
7	12391-ARA-0100	Head cover packing	1
8	12392-ARA-0002	Cylinder head stay	1
9	1443A-F6A-0002	Valve rocker arm ASSY.	2
10	14451-H6B-0000	IN. rocker arm shaft	2
11	14711-F6A-0000	IN. valve	1
12	14721-F6A-0000	EXH. valve	1
13	14751-ARA-0000	Valve spring	2
14	14771-F6C-A000	Retainer valve spring	2
15	14781-A01-A000	Valve cotter	4
16	16201-M92-0002	CARB. insulator gasket	1
17	16211-M92-0002	CARB. insulator	1
18	90034-ABA-0000	Stud bolt 6*65	2
19	90034-HMA-0001	Special stud bolt 8*40	2

E-02-1 CYLINDER HEAD



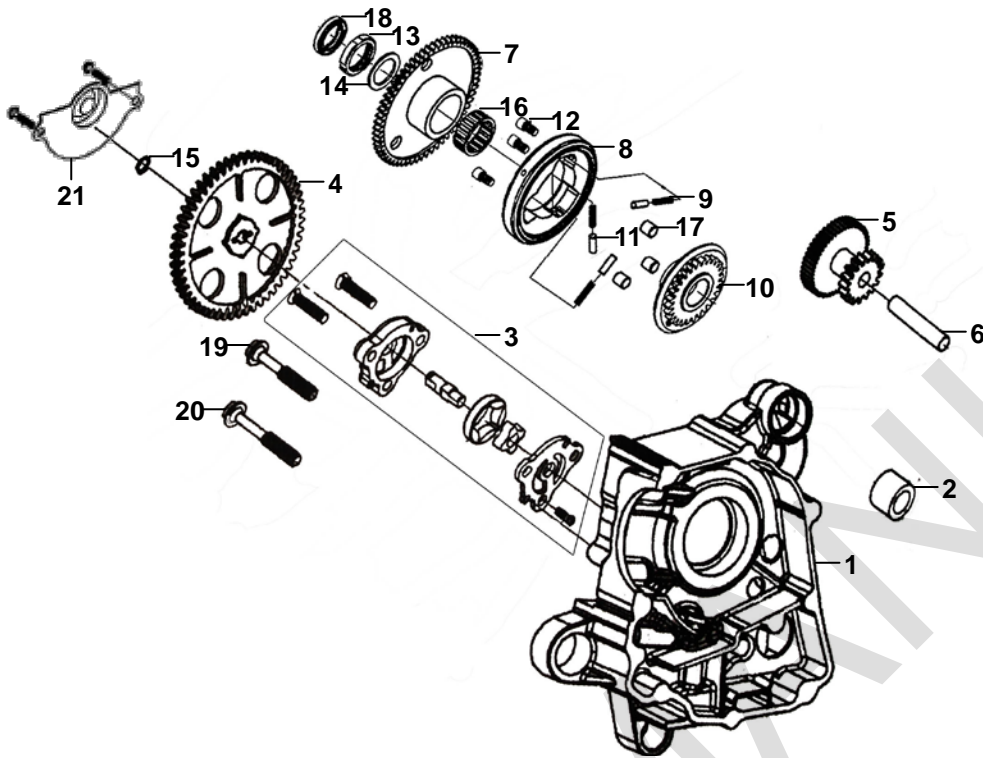
Ref.No	Part Number	Description	Reqd. No.
20	91305-M9Q-0001	O-ring 9*1.6	2
21	94050-08080	Nut flange 8MM	4
22	96001-06025-08	SH. flange bolt 6*25	4
23	96001-06095-08	Flange SH bolt 6*95	2
24	98056-57718-NGK	PLUG. spark(NGK CR7HSA)	1
25	12310-ARA-0011	Cylinder head cover COMP	1
26	18645-M9Q-0000	A/I pipe gasket	1
27	18647-ARA-0000	Air pipe COMP.	1
28	18601-MJ1-7901	Reed valve COMP.	1
29	18612-H66-0002	Reed valve cover	1
30	95701-06040-00	Flange bolt 6*40	2
31	95701-06025-00	Flange bolt 6*25	1
32	18860-H6H-9103	Aicv tube ASSY	1

E-03 CAM SHAFT&CYL. HEAD L. SIDE COVER



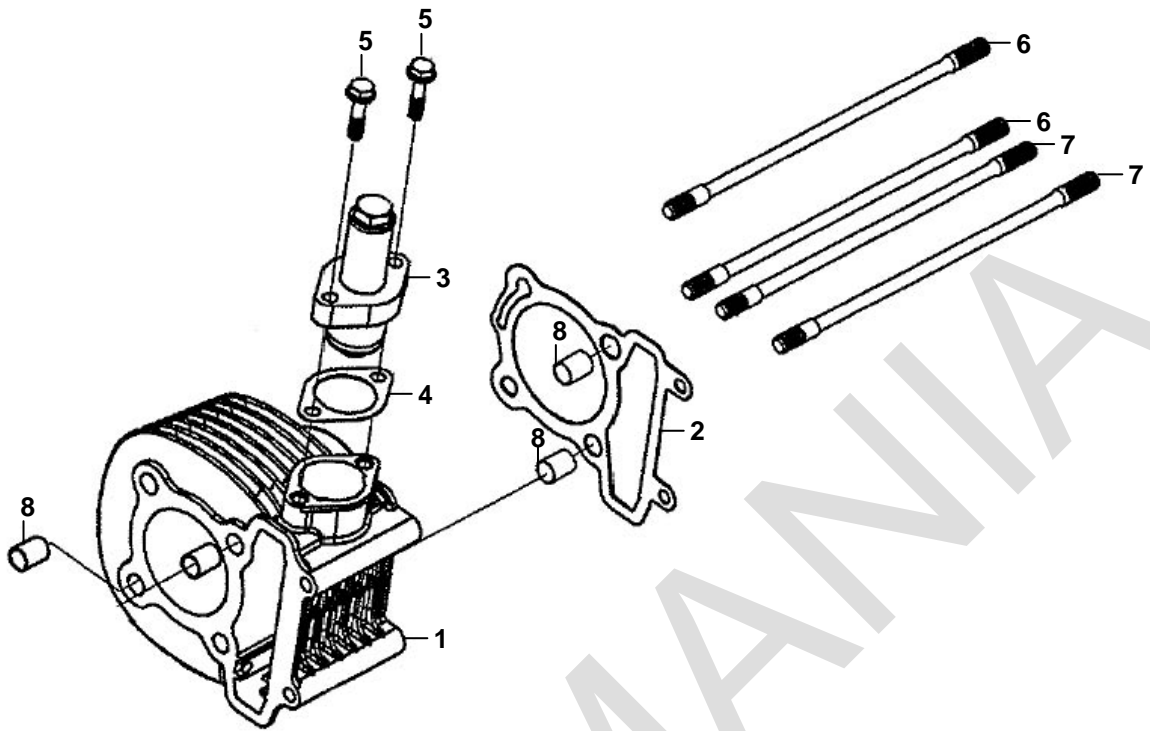
Ref. No	Part Number	Description	Reqd. No.
1	14100-ARA-0002	Cam shaft COMP.	1
2	14105-F6A-0000	Cam sprocket	1
3	14401-F6A-0000	Cam chain	1
4	14457-F6A-0000	Cam shaft setting plate	1
5	14510-F6A-0000	Cam chain tensioner	1
6	14610-F6A-0100	Cam chain guide	1
7	96001-06016-08	SH. flange bolt 6*16	1
8	90083-B12-0000	Knock bolt 6MM	2

E-04 R CRANK CASE&OIL PUMP ASSY



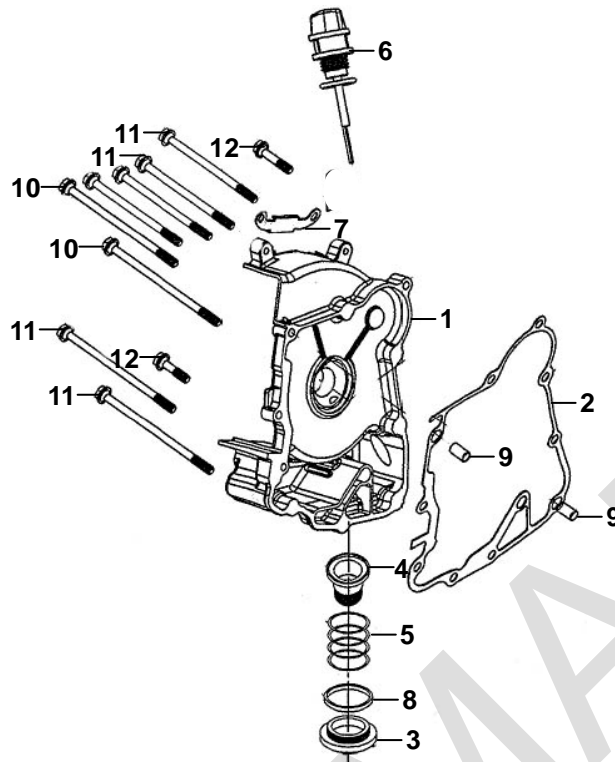
Ref. No	Part Number	Description	Reqd. No.
1	11100-ARA-0005	R. crank case COMP.	1
2	11102-M9Q-3000	ENG. hanger rubber bush	1
3	15100-F6C-0001	Oil pump ASSY.	1
4	15133-F6C-0001	Oil pump driven gear	1
5	28101-GY6-9000	Starter reduction gear	1
6	28102-M9Q-0000	Start. red. gear shaft	1
7	28110-M9Q-0002	Start. clutch gear COMP	1
8	28120-M9Q-0007	Starting clutch outer COMP.	1
9	28124-H6T-0000	Starter clutch roller spring	3
10	28125-M92-0002	Starting clutch flange COMP.	1
11	28126-M9Q-0000	Starting roller spring cap	3
12	90002-M9Q-0001	Socket bolt 6*10	3
13	90201-GY6-9000	Lock nut 22MM	1
14	90403-M92-0000	Thrust washer 22.2*31*1.5	1
15	90602-N01-0000	C-clip 8mm	2
16	91104-M9Q-0000-M2	Needle bearing 28*32*17	1
17	91105-M9Q-0002	Roller 10*10	3
18	91201-GY6-9031	Oil seal 19.8*30*5R	1
19	96001-06045-08	Flange bolt 6*45	1
20	96001-06055-08	Flange bolt 6*55	1
21	15711-M92-0001	Oil pump separator	1

E-05 CYLINDER



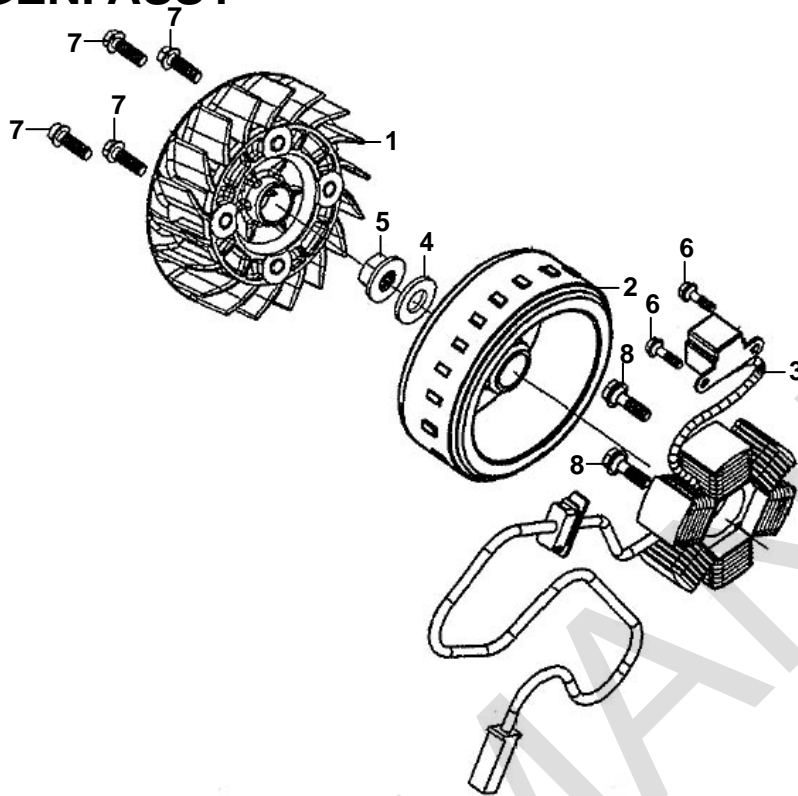
Ref. No	Part Number	Description	Reqd. No.
1	12100-A61-0002	Cylinder	1
2	12191-F6C-0000	Cylinder gasket	1
3	14520-GY6-9011	Tensioner lifter ASSY.	1
4	14523-GY6-9000	Tensioner lifter gasket	1
5	90001-M9Q-0000	SH. flange bolt 6*22	2
6	90031-M92-0001	Cylinder stud bolt A	2
7	90032-A6A-0000	Cylinder stud bolt B	2
8	90703-M8Q-0003	Dowel pin 10*14	4

E-06 R. CRANK CASE COVER



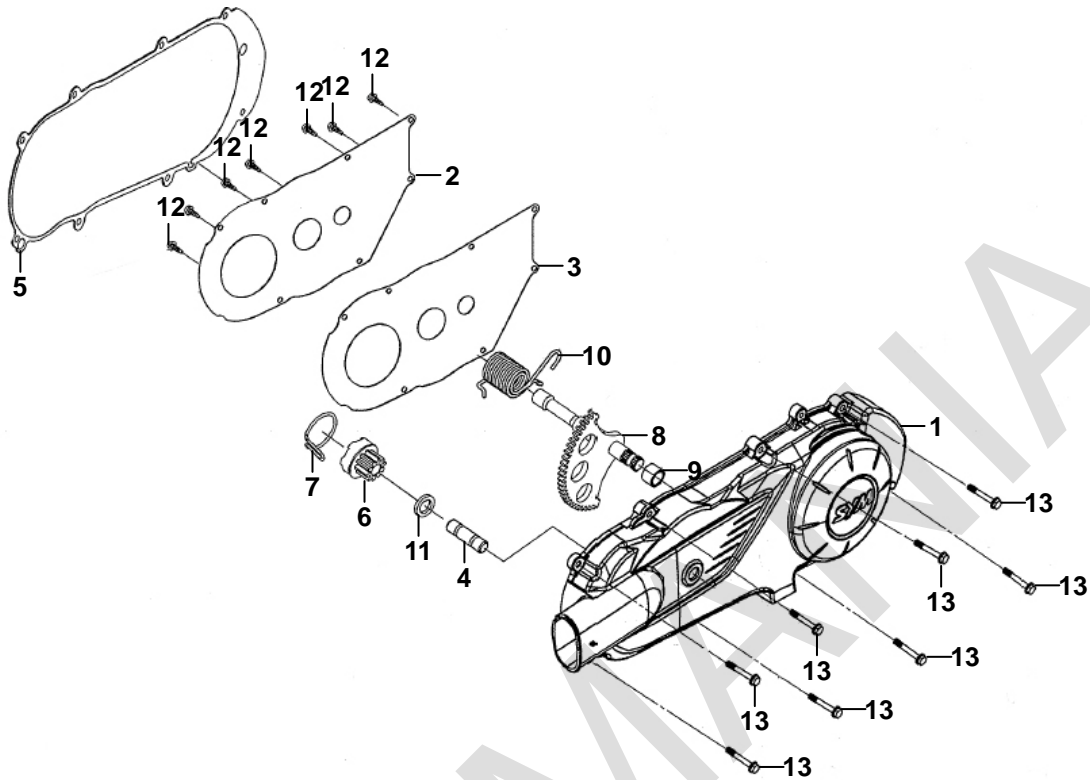
Ref. No	Part Number	Description	Reqd. No.
1	11331-ARB-0002	R. crank case cover	1
2	11394-F6C-0000	R. cover gasket	1
3	12361-M9Q-0001	Tappet adjusting hole cap	1
4	15421-H66-0000	Oil filter screen	1
5	15426-M9Q-0000	Oil filter screen SPG.	1
6	15651-F6A-0000	Oil level gauge	1
7	32961-ARA-0000	ACG cord clammer	1
8	91302-M9T-0002	O-ring 30.8MM	1
9	94301-08140	Dowel pin 8*14	2
10	96001-06100-08	SH flange bolt 6*100	2
11	96001-06095-08	Flange sh bolt 6*95	6
12	96001-06030-08	SH. flange bolt 6*30	2

E-07 AC GEN. ASSY



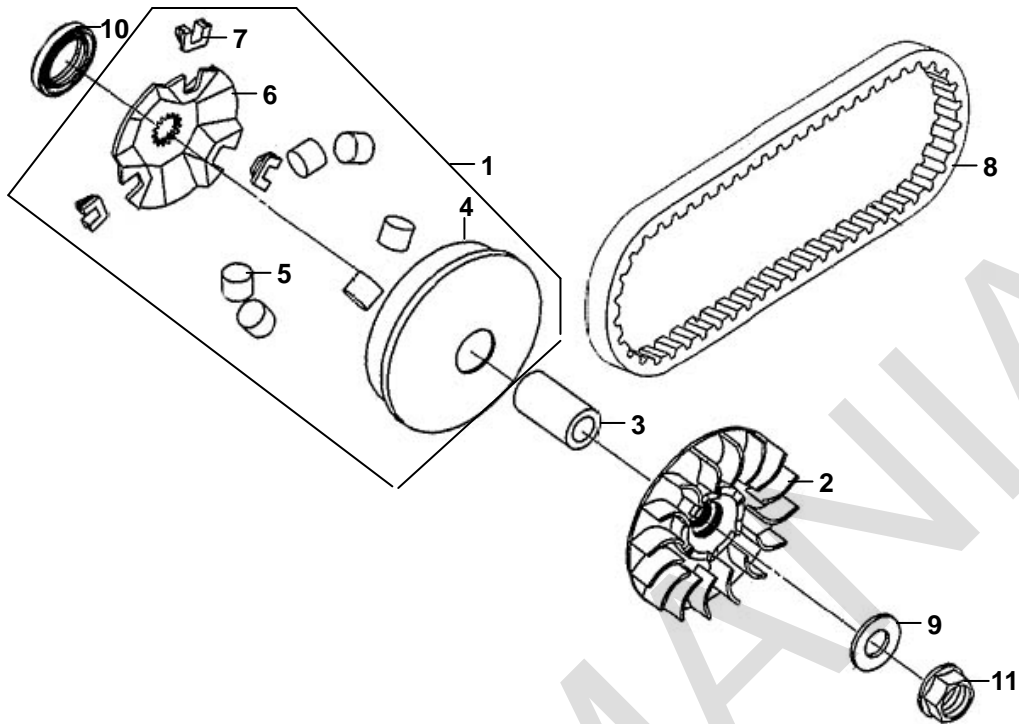
Ref. No	Part Number	Description	Reqd. No.
1	19510-H69-0001	Cooling fan COMP.	1
2	31110-X2C-0000	Flywheel COMP	1
3	31120-X1A-0000	Stator COMP.	1
4	90440-166-0000	Plain washer 12MM	1
5	94050-12000	Flange nut 12MM	1
6	92101-05012-0A	HEX bolt 5*12mm	2
7	96001-06018-08	Flange bolt 6*18	4
8	96001-06028-08	SH. flange bolt 6*28	2

E-08 L. CRANK CASE COVER



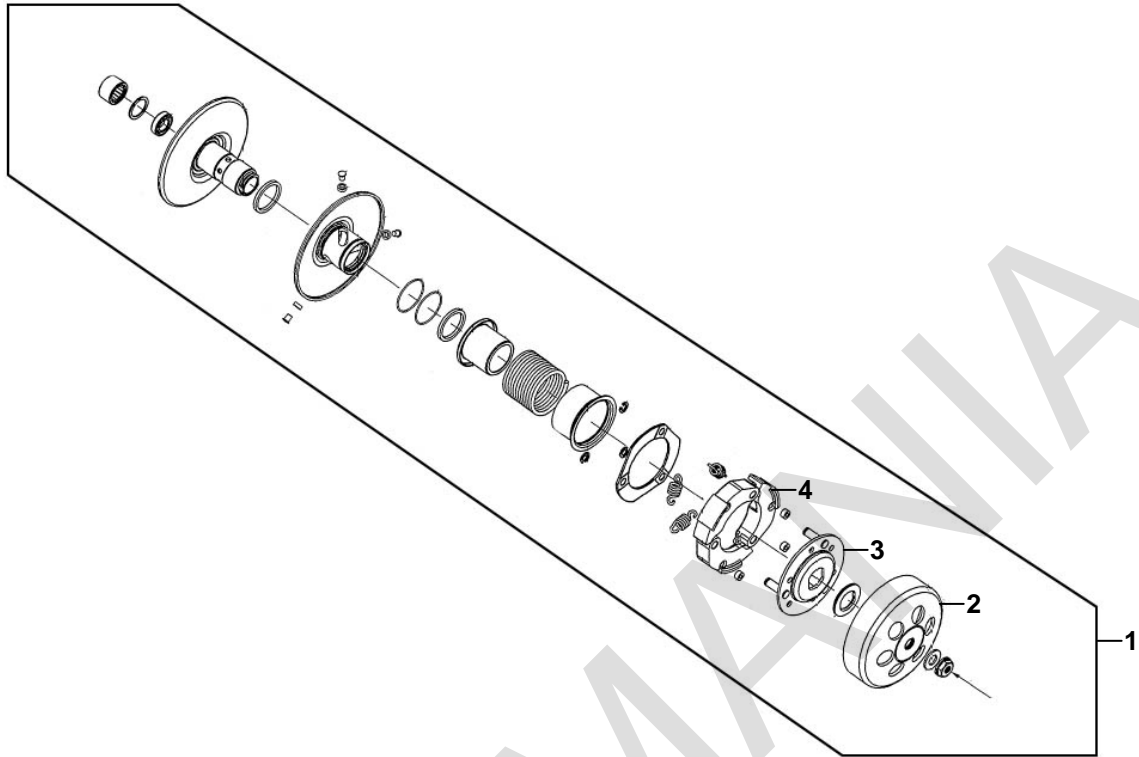
Ref. No	Part Number	Description	Reqd. No.
1	11341-ANA-0001	L. crank case cover	1
2	11342-ANA-0001	L. side cover plate	1
3	11343-ANA-0001	L. side cover plate gasket	1
4	11360-M92-3000	Kick starter driven shaft	1
5	11395-ANA-0000	L. cover gasket	1
6	28230-H6T-0000	Kick driven gear COMP.	1
7	28233-M92-0001	Kick starter friction SPG	1
8	28250-ARA-0000	Kick starter spindle COMP.	1
9	28254-KG8-910A	Kick spindle bush 14*18*16	1
10	28281-ARA-0000	Kick return spring	1
11	90452-M9Q-0000	Thrust washer 12MM	1
12	93500-05012-0H	Pan screw 5*12mm	7
13	96001-06028-00	Flange bolt SH 6*28	8

E-09 MOVABLE DRIVE FACE ASS'Y



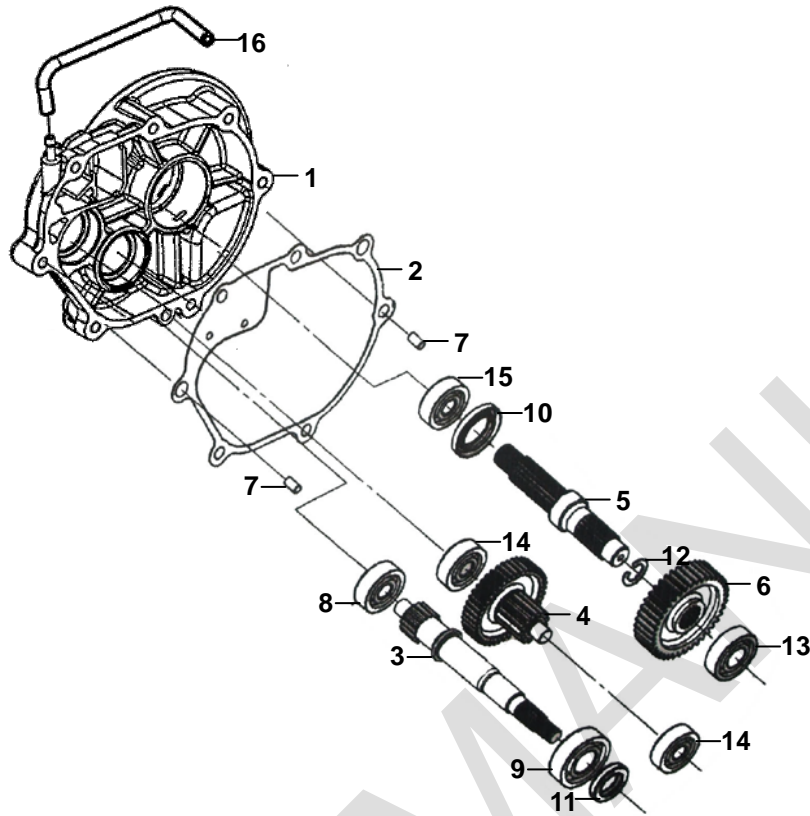
Ref. No	Part Number	Description	Reqd. No.
1	2211A-ARA-0000	Movable drive face ASSY.	1
2	22102-M92-0004	Drive face COMP.	1
3	22105-M92-0000	Drive face boss	1
4	22110-H5B-0001	Movable drive face COMP.	1
5	22121-HKE-0000	Weight roller COMP.	6
6	22131-M92-0002	Ramp plate	1
7	22132-ARA-0000	Slide piece	3
8	23100-ANA-0100	Drive belt	1
9	90440-166-0000	Plain washer 12MM	1
10	91202-A6A-0000	Oil seal 25*40*7	1
11	94050-12000	Flange nut 12MM	1

E-10 DRIVEN PULLEY ASS'Y



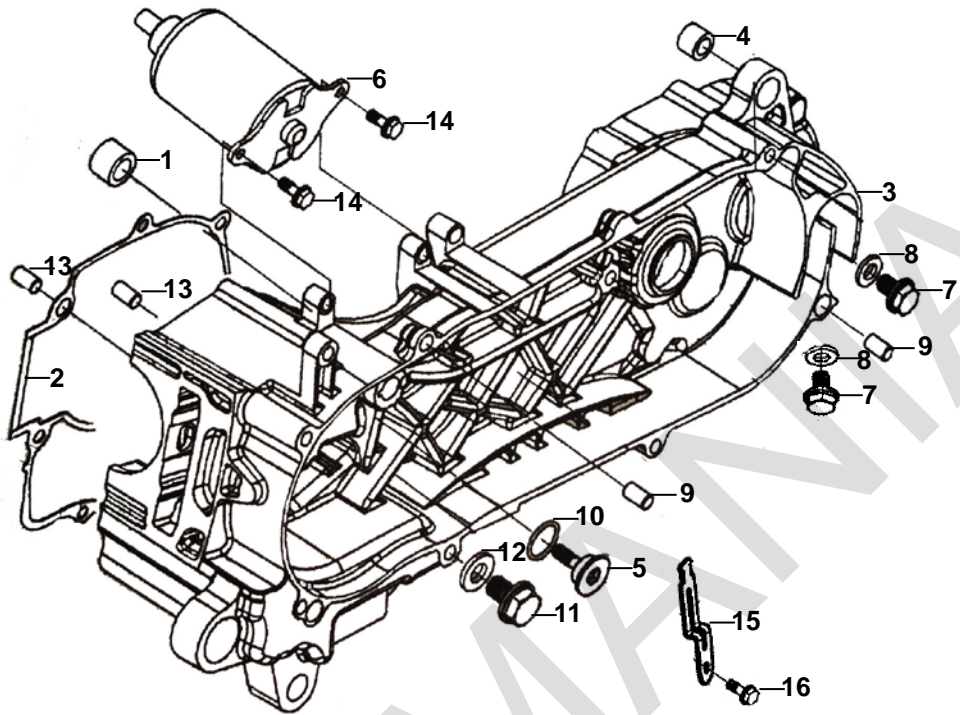
Ref. No	Part Number	Description	Reqd. No.
1	2301A-F6C-0000	Driven pulley set	1
2	22101-M9Q-0003	Clutch outer	1
3	22350-HKE-0001	Drive plate COMP.	1
4	22530-F6C-0000	Clutch weight	1

E-11 MISSION CASE&DRIVE SHAFT



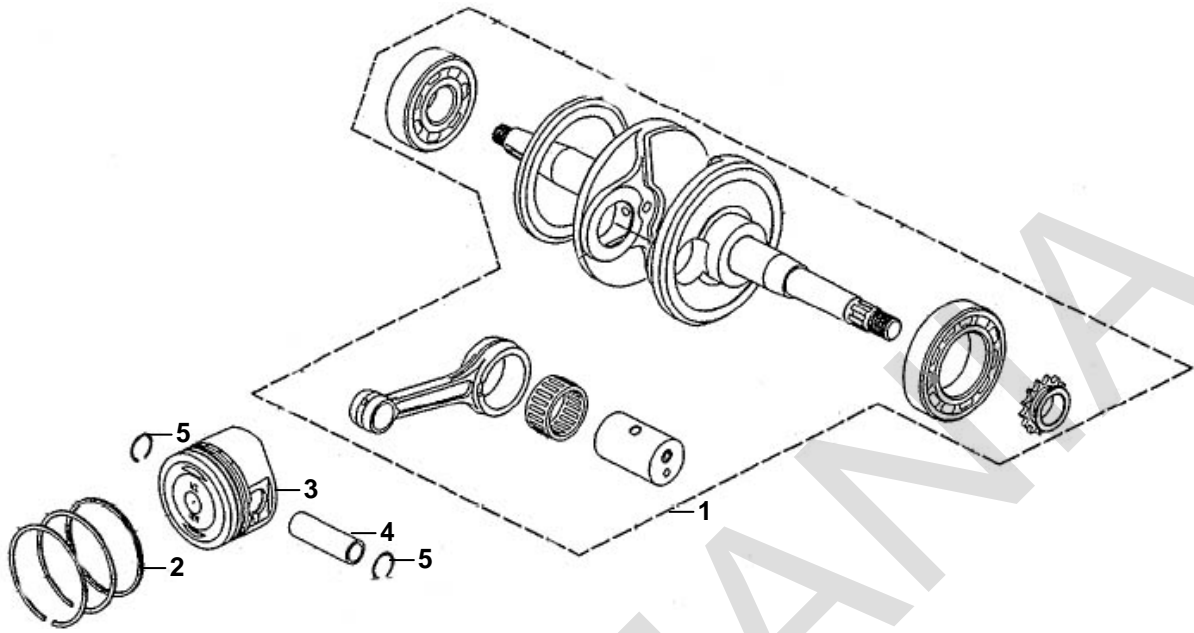
Ref. No	Part Number	Description	Reqd. No.
1	21200-A6A-0002	Mission case COMP.	1
2	21395-ABA-0000	Mission cover gasket	1
3	23411-ANA-0001	Drive shaft	1
4	23420-HHA-0100	Counter shaft COMP.	1
5	23431-A6A-0001	Final shaft	1
6	23432-HHA-0100	Final gear 43T	1
7	90703-M8Q-0003	Dowel pin 10*14	2
8	91003-M8Q-0000	Radial ball BRG. CSB301	1
9	91104-KN7-6700-M2	Radial ball BRG. CSB204	1
10	91201-HHA-3001	Oil seal 32*47*7	1
11	91202-KJ9-0030-M1	Oil seal 20*32*6	1
12	94510-22000	EX. cir-clip 22MM	1
13	96100-62033-10	Radial ball BRG. 6203	1
14	96100-63013-00	Radial ball BRG 6301	2
15	96150-62043-10	Ball radial bearing 6204	1
16	11221-ABA-0000	Mission breather tube	1

E-12 L. CRANK CASE



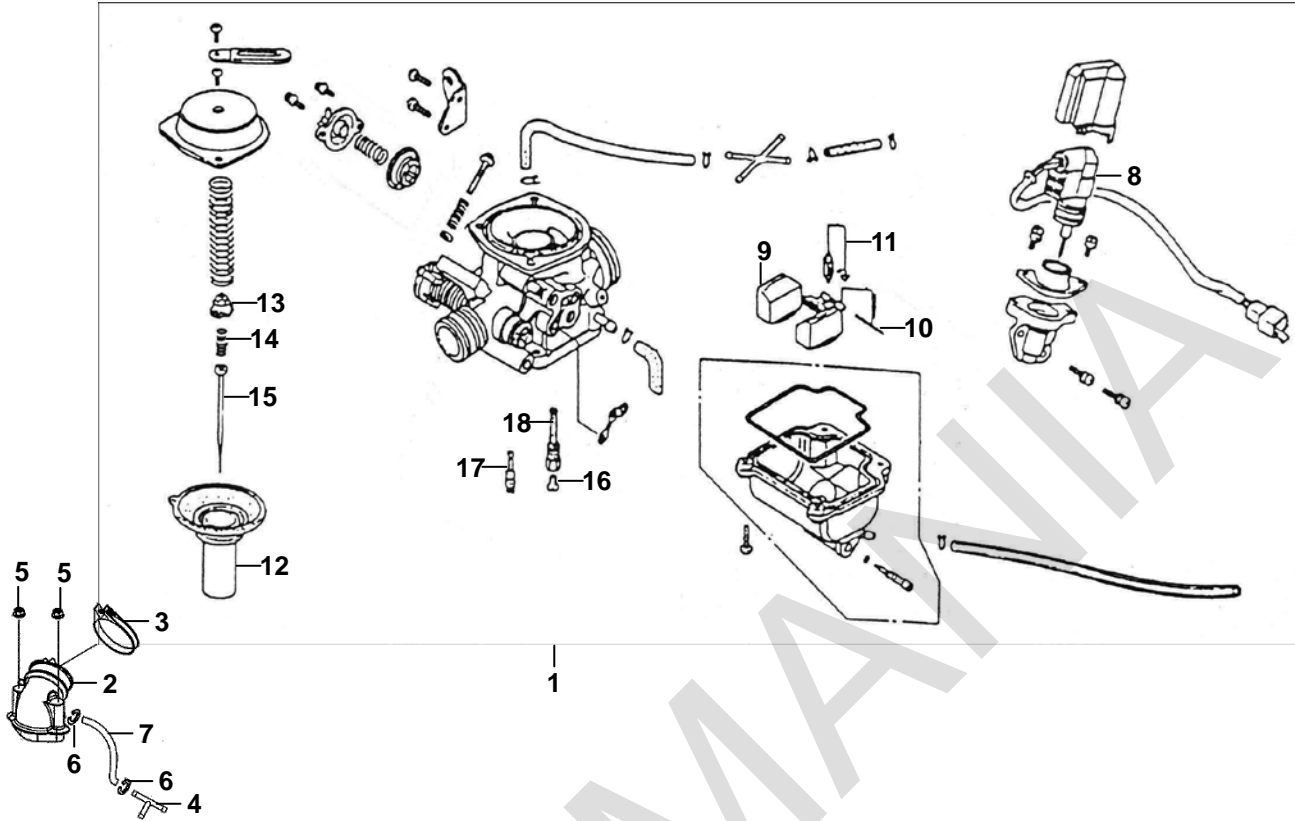
Ref. No	Part Number	Description	Reqd. No.
1	11102-M9Q-3000	ENG. hanger rubber bush	1
2	11192-F6C-0000	R. crank case gasket	1
3	11200-ANA-0100	L. crank case COMP.	1
4	11203-M9Q-3000	RR. CUSH. UN. rubber bush	1
5	14531-M9Q-0000	Cam chain tensioner pivot	1
6	31200-F6C-A000	Start motor ASSY.	1
7	90103-KN8-000A	Special bolt 8MM	2
8	90474-333-0000	Washer 8MM	2
9	90703-M8Q-0003	Dowel pin 10*14	2
10	91304-M9Q-0000	O-ring 15.2*1.5	1
11	92800-12000	Drain plug bolt 12MM	1
12	94109-12000	Plug drain washer 12mm	1
13	94301-08140	Dowel pin 8*14	2
14	96001-06016-08	SH. flange bolt 6*16	2
15	11225-ABA-0001	AIR/C duct stay	1
16	96001-06012-08	SH. flange bolt 6X12	1

E-13 CRANK SHAFT



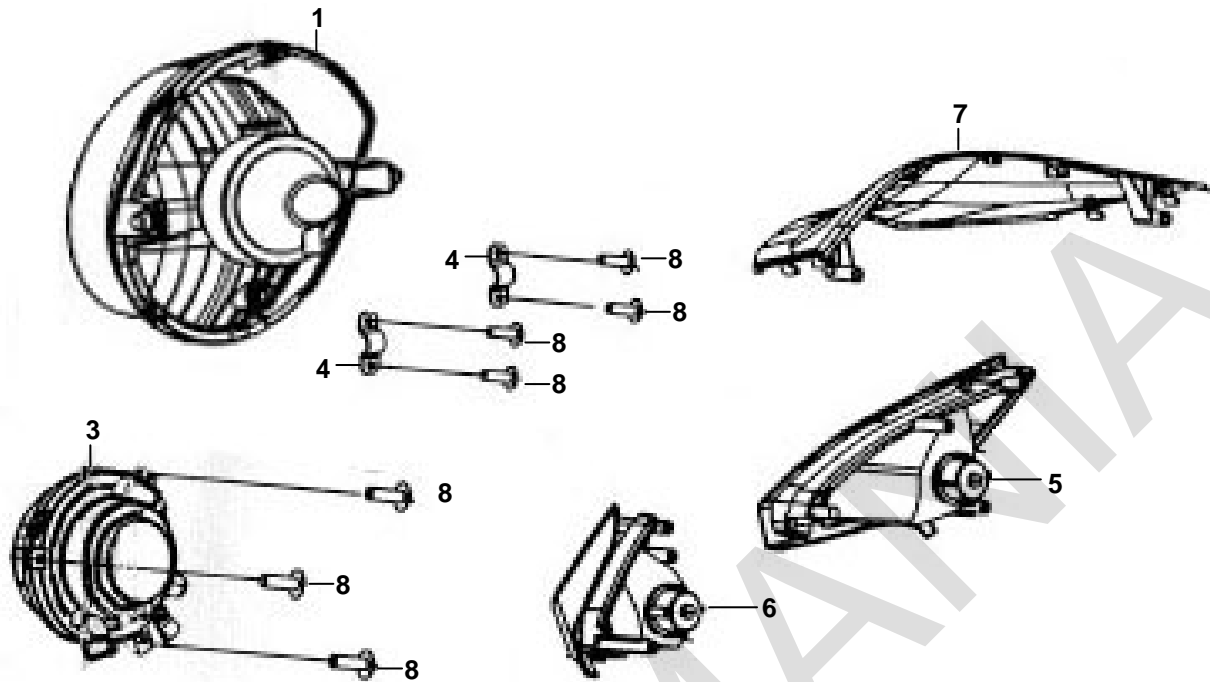
Ref. No	Part Number	Description		Reqd. No.
1	13000-A6A-0001	Crank shaft COMP	曲軸	1
2	13010-VVA-0000	Piston ring set	活塞環	1
3	13101-AJE-0000	Piston	活塞	1
4	13111-M4Q-0001	Piston pin	活塞梢 7X10X29.2	1
5	94601-15000	Piston pin clip	活塞梢環夾	2

E-14 Carburetor



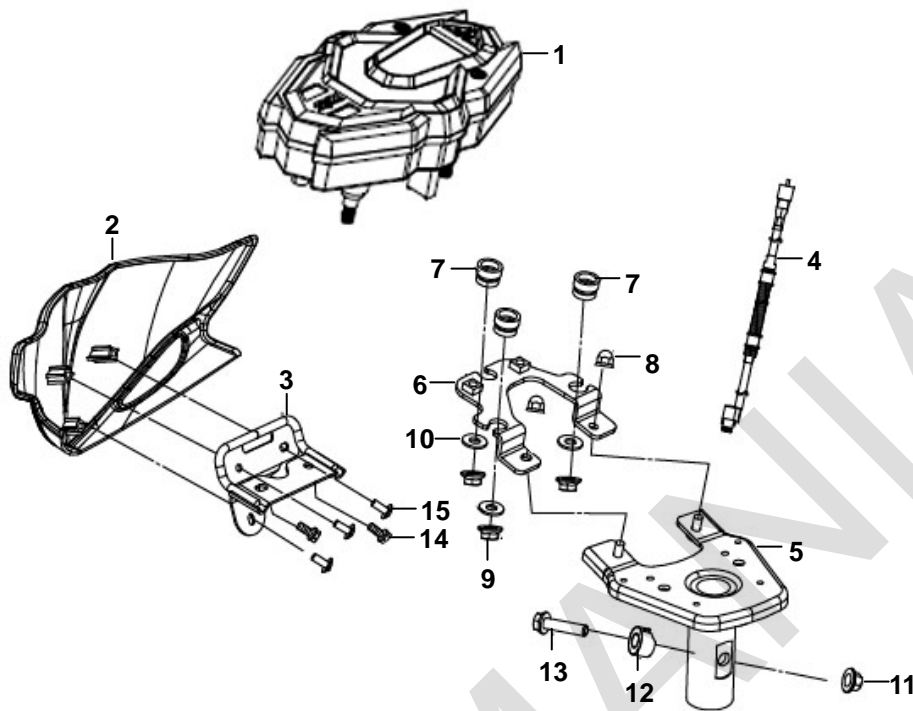
Ref. No	Part Number	Description	Reqd. No.
1	16100-ANA-0100	Carburetor ASS'Y 化油器总成	1
2	17110-ANA-0000	Inlet pipe COMP.	1
3	17256-M9Q-0000	Insulator band	1
4	18670-S6N-0000	3-way joint ASSY	1
5	94050-06000	Flange nut 6MM	2
6	95002-02070	Tube clip B7	2
7	95005-35110-50	Tube 3.5*110	1
8	16101-ANA-0000	Auto-by start	1
9	16120-ANA-0000	Float COMP.	1
10	16121-ANA-0000	Arm pin	1
11	16122-ANA-0000	Float valve COMP.	1
12	16142-ANA-0000	Vacuum piston COMP.	1
13	16143-ANA-0000	Valve plate	1
14	16144-ANA-0000	SPG. COMP	1
15	16145-ANA-0000	Needle jet	1
16	16180-ANA-0000	Main jet	1
17	16181-ANA-0000	Slow jet COMP.	1
18	16182-ANA-0000	Needle jet holder	1

F-01 Head Light



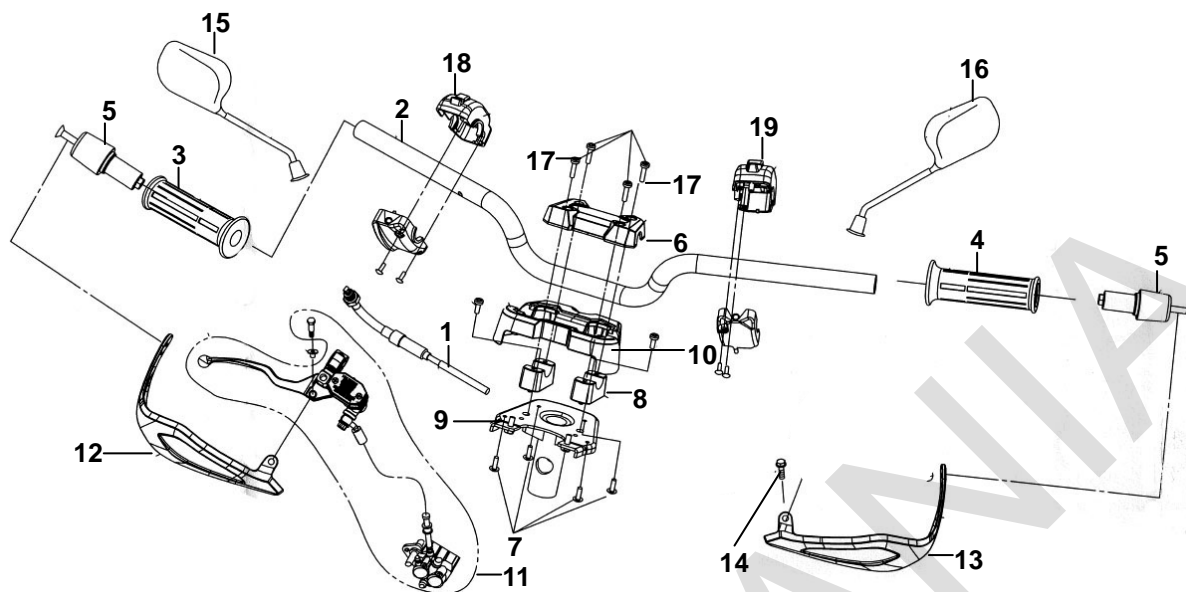
Ref. No	Part Number	Description	Reqd. No
1	33100-AEM-0000	Head light ASSY	1
1-1	34901-X06-0000	Head light bulb	1
1-2	33145-AWU-0000	Led PCB 1	1
1-3	33146-AWU-0000	Led PCB 2	1
1-4	33147-AWU-0000	Led PCB 3	1
3	33140-AEM-0000	FR. position light ASS'Y	1
4	33107-A7A-0000	Head light plate	2
5	33400-AEM-0000	FR. R. winker ASS'Y	1
6	33450-AEM-0000	FR. L. winker ASS'Y	1
7	64303-AWU-0000	FR. top cover	1
8	93903-34340	Tapping screw 4*12	7

F-02 Speed Meter



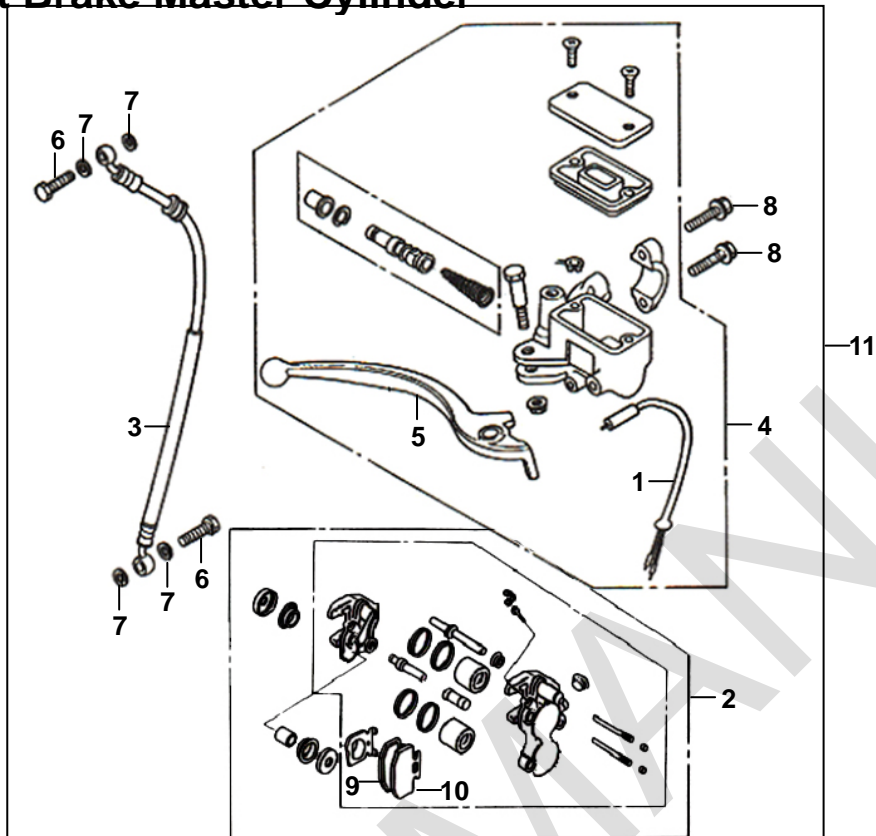
Ref. No	Part Number	Description		Reqd. No
1	37200-AWU-0000	Speedometer ASSY	速度表总成	1
1-1	37201-AWU-0000	Speedometer lens 1	仪表壳 1	1
1-2	37202-AWU-0000	Speedometer lens 2	仪表壳 2	1
2	53207-B9A-0003	Meter visor A	仪表罩	1
3	53201-AWU-0000	Meter visor stay	仪表前盖支架	1
4	44830-XDE-0000	SPEED. sensor COMP.	速度表导线	1
5	53231-AWU-0001	Handle pipe holder COMP	把手固定座	1
6	37212-AJF-0001	Meter stay	仪表支架	1
7	37001-N3G-A000	Meter cushion rubber	仪表缓冲橡胶	3
8	90301-M9Q-9000	Open stay nut 6MM	排气管接头螺帽	2
9	93903-35240	Tapping screw 5X12	自攻螺丝	3
10	94101-06400	Plain washer 6mm	平面垫圈	3
11	90304-AAA-0000	Flange. U nut 10mm (GREEN)	缘面螺帽	1
12	53125-M9Q-0000	Steering stem lock collar	方向把手圆套 12*21*12	1
13	90106-AAA-0000	Flange bolt 10*50 (GREEN)	缘面螺栓 10*50	1
14	95801-06012-04	Flange bolt 6x12	缘面螺栓 6*12	2
15	93903-35240	Tapping screw 5X12	盘头螺钉 5*12	3

F-03 Cable • Switch • Handle Lever



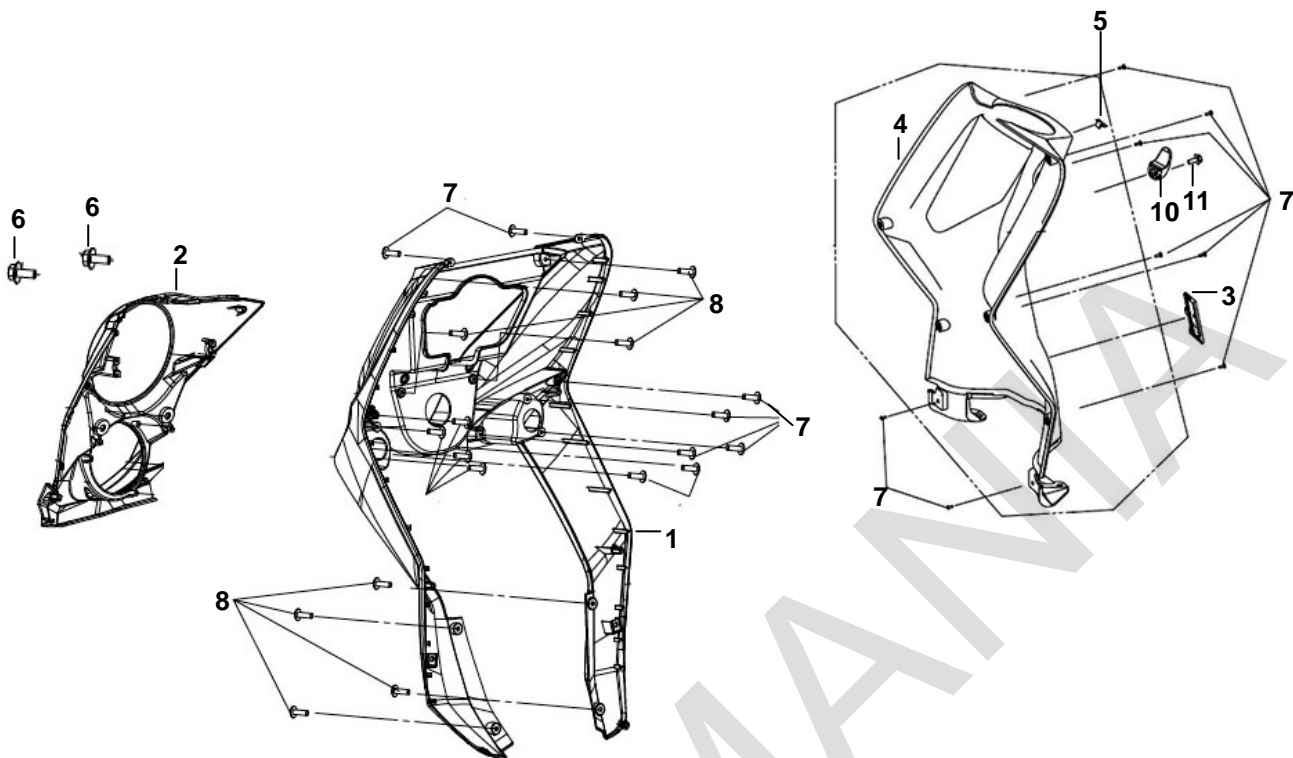
Ref. No	Part Number	Description	Reqd. No
1	17910-AEL-0000	Throt cable COMP	1
2	53100-AWU-0001	STRG. handle	1
3	53140-N7K-0001	RH. HNDL. grip	1
4	53166-N7K-0001	LH. HNDL. grip	1
5	53104-N5G-0000	Handle pipe WT.	2
6	53131-AWU-0000	HNDL. pipe up. holder	1
7	95801-06012-04	Flange bolt 6x12	4
8	53132-AWU-0000	Handle pipe down hodler	2
9	53231-AWU-0001	Handle pipe holder COMP	1
10	53205-AWU-0000	FR. handle cover	1
11	4550A-AWU-0002	FR. Caliper	1
12	53208-AWU-0000	R. lever cover	1
13	53209-AWU-0000	L. lever cover	1
14	95801-06012-04	Flange bolt 6x12	2
15	88110-Z8G-0000	R. RR. back mirror	1
16	88120-Z8G-0000	L. back mirror	1
17	96700-06025-49	Socket bolt 6*25	4
18	35150-XDE-0000	R. handle SW.	1
19	35200-XDE-0000	L. handle SW. UNIT	1

F-04 Front Brake Master Cylinder



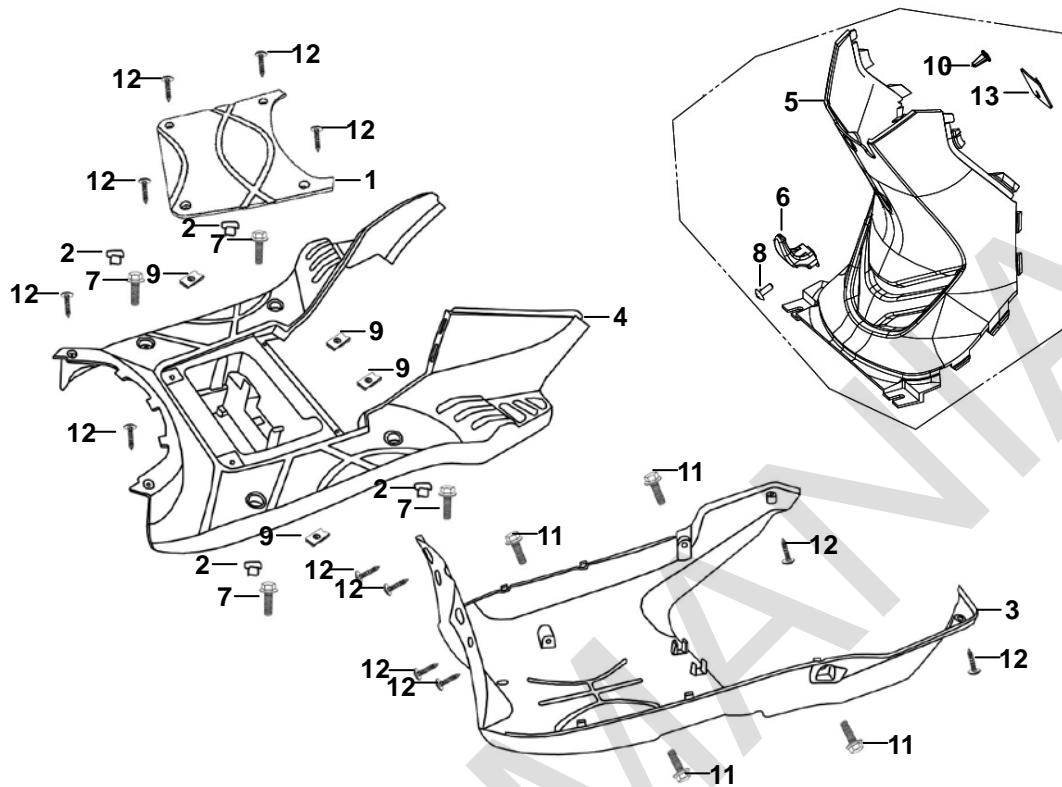
Ref. No	Part Number	Description	Reqd. No
1	35340-XDE-0000	FR. stop SW. ASSY 前刹车开关总成	1
2	45100-ATA-0002	Caliper ASSY 夹具组	1
3	45126-AWU-0001	FR. brake hose ASSY 前刹车导管总成	1
4	45500-AWU-0001	FR. master cylinder 前碟刹泵	1
5	53170-AWU-0000	L. STRG. lever handle 右把手拉杆	1
6	90145-M9Q-0000	Oil bolt M10x22 螺栓 M10X22	2
7	90545-M9Q-0000	Oil bolt washer 螺栓垫圈	4
8	95801-06022-07	Flange bolt 8*30 六角缘面螺栓 M8*30	2
9	45105-APA-0000	Pad A COMP 刹车片 A	1
10	45106-APA-0000	Pad B COMP 刹车片 B	1
11	4550A-AWU-0002	FR. master cylinder ASSY 前碟刹泵	1

F-05 Front Cover • Front Inner Box



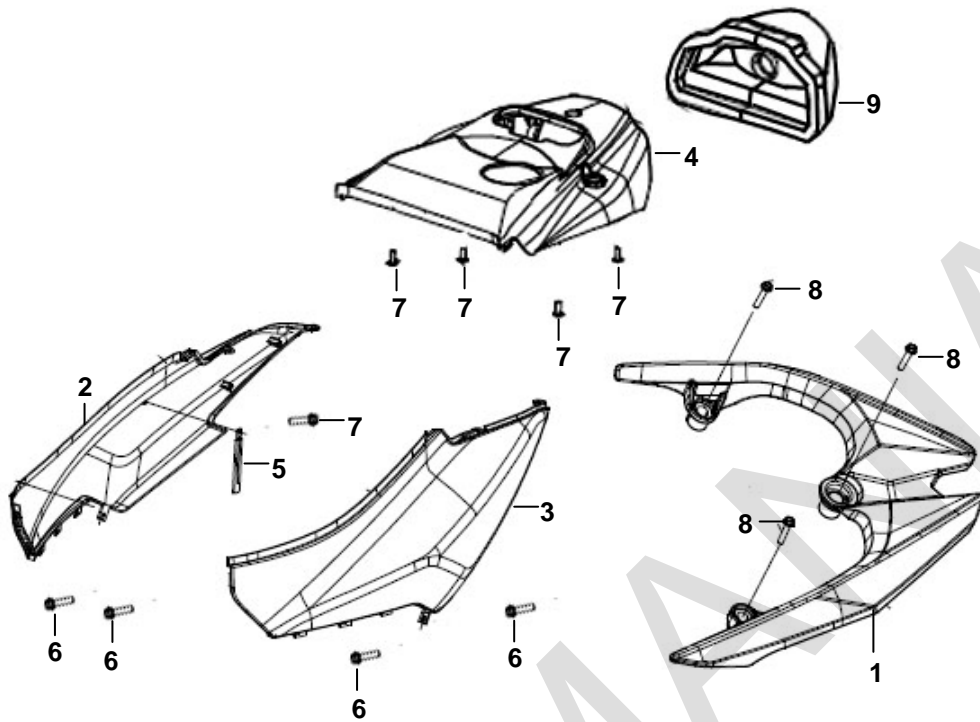
Ref. No	Part Number	Description	Reqd. No	
1	64301-AWU-0000	FR cover	前面板	1
2	64302-AWU-0000	FR. cover garnish	前盖	1
3	64318-ALA-0000	Frame number lid	车架号码盖	1
4	81131-ABF-0002	Inner cover	前置物箱	1
5	81133-ABA-0000	Luggage stopper	行李塞	1
6	96700-06012-49	Flange bolt 6x12	内六角螺栓	2
7	93903-35240	Tapping screw 5*12	自攻螺丝 5*12	16
8	93903-45340	Tapping screw 5*16	自攻螺丝 5*16	8
9	90109-42128	Tapping screw 4.2*12	螺丝 4.2*12	8
10	81132-M7Q-0001	Luggage hook	安全帽挂钩	1
11	90164-M9Q-0000	Special screw 6MM	特殊螺钉 6MM	1

F-06 Floor Panel • Center Cover



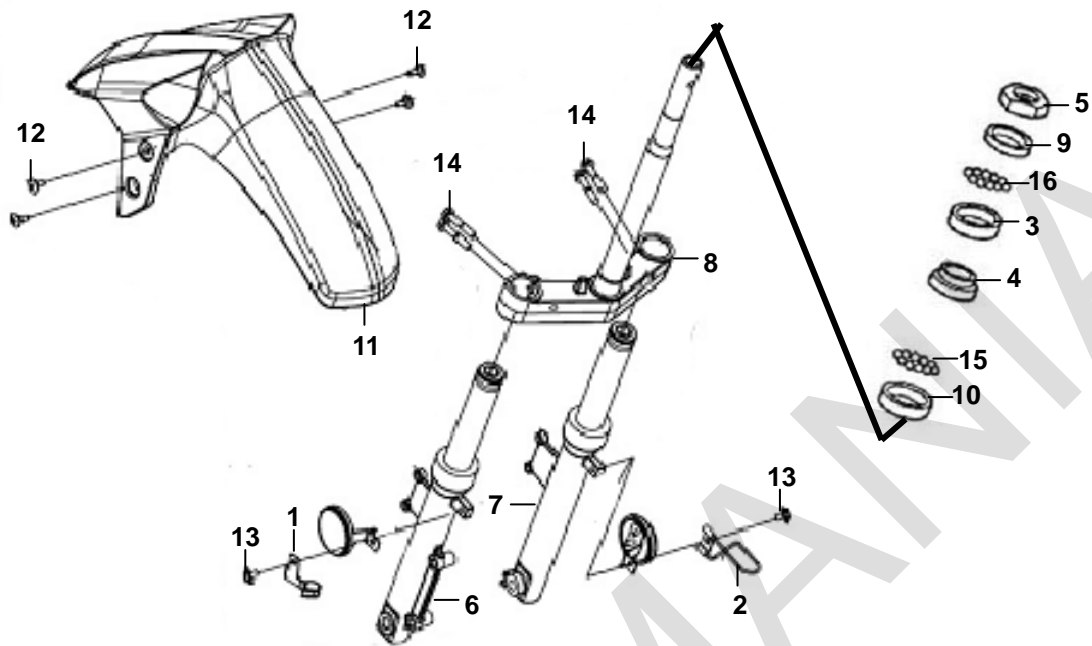
Ref. No	Part Number	Description	Reqd. No
1	50326-AAA-0000	Battery cover	1
2	50612-APA-0000	Cap b flr step	4
3	50613-ABF-0000	Under cover	1
4	64310-ABF-0002	Floor panel	1
5	80151-AAA-0000	Center cover	1
6	81132-H12-0002	Luggage hook	1
7	90111-AAA-0000	Flange bolt 6MM	4
8	90115-G02-0000	Bolt 6X16	1
9	90308-X04-0000	Spring nut	4
10	81133-ABA-0000	Luggage stopper	1
11	93404-06016-00	Washer bolt 6X16	4
12	90109-42168	Tapping screw 4.2X16	12
13	77107-H12-0000	Helmet hook BRKT.	1

F-07 Body Cover



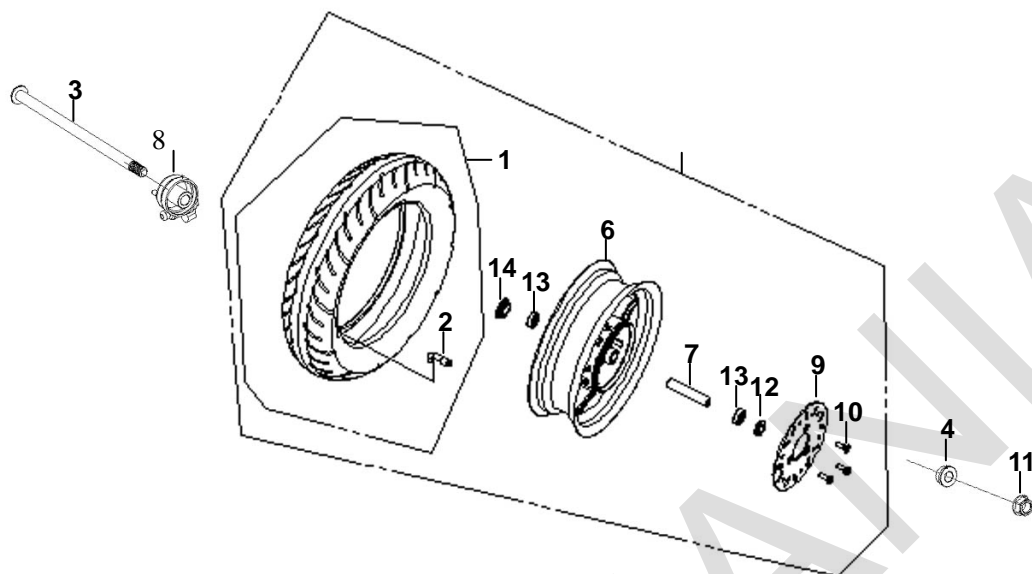
Ref. No	Part Number	Description		Reqd. No
1	81200-AWU-0000	Rear carrier ASSY	后货架	1
2	83500-AAA-0002	RH body cover	右车体盖	1
3	83600-AAA-0001	LH body cover	左车体盖	1
4	83750-AAA-0000	RR. center cover	后中央盖	1
5	32162-H6T-0000	Clip 2*100	线夹	1
6	93903-35240	Tapping screw 5X12	自功螺丝 5*12	4
7	93903-35340	Tapping screw 5x16	自功螺丝 5*1	5
8	90105-ANA-0002	Special bolt 8MM	特殊螺栓	3
9	33700-ABP-0000	Tail light	尾灯	1
9-1	34906-ABF-0000	Tail & stop bulb	尾灯灯泡	1

F-08 Steering Stem • Front Cushion



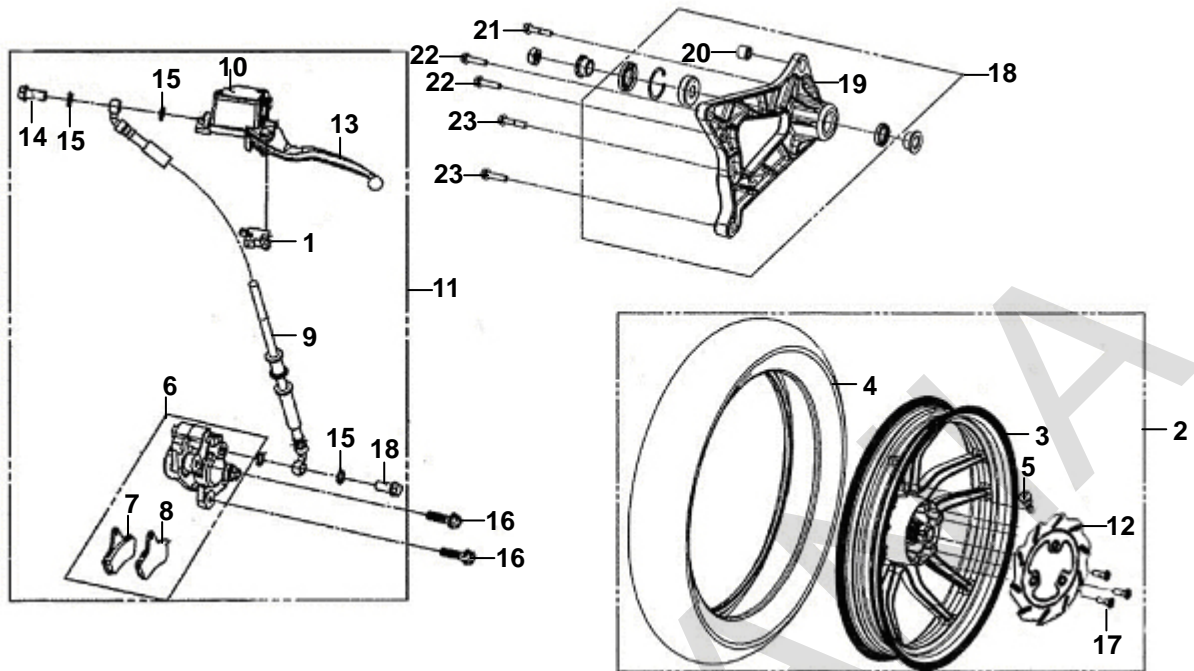
Ref. No	Part Number	Description	Reqd. No
1	45156-AAA-0000	FR. brake cable	1
2	45465-AAA-0001	Cable guide	1
3	50301-M9Q-0002-CN2	STRG.up ball race	1
4	50302-M9Q-0000-CN2	Race STRG.bot ball	1
5	50306-M9Q-0000-CN2	STRG. stem lock nut	1
6	51400-AWA-0001	R.FR. cushion	1
7	51500-AWA-0001	L.FR. cushion	1
8	53200-AAA-0003	Steeting stem	1
9	53211-M9Q-0000-CN2	STRG. top cone	1
10	53212-M9Q-0000-CN2	Cone STRG. bottom	1
11	61100-AWU-0000	FR. Fender (BLACK)	1
12	90164-AAA-0000	Special screw 6MM (GREEN)	4
13	93404-06016-00	Flange bolt 6*16	2
14	95801-08040-00	Flange bolt 8*40	4
15	50303-AAA-0000	UP steel balls and retainer ASSY	1
16	50304-AAA-0000	Lower steel balls and retainer ASSY	1

F-09 Front Wheel



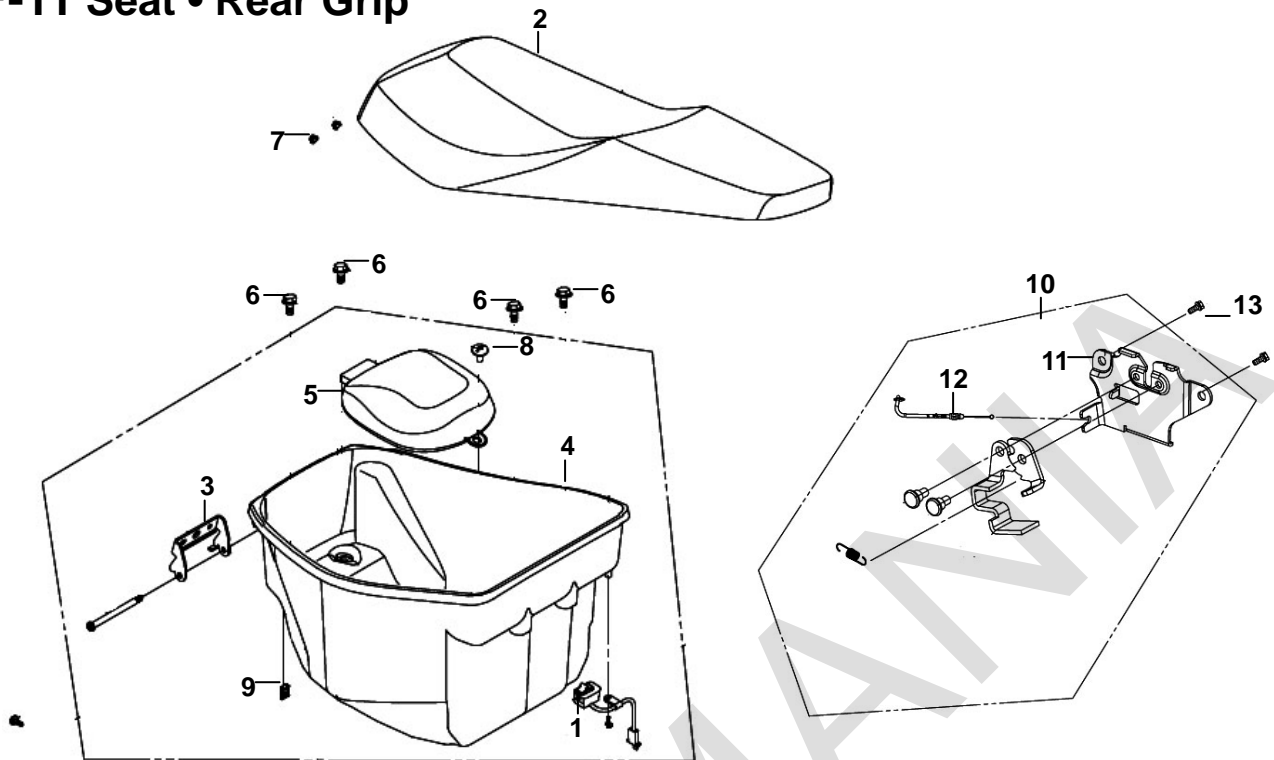
Ref. No	Part Number	Description	Reqd. No
1	44710-ANG-0000	Tire ASS'Y	1
2	42753-ABA-0000	Rim valve	1
3	44301-AAA-0000	FR. wheel axle 10*172	1
4	44311-AAA-0000	Collar fr wheel side	1
5	44600-AWU-0000	FR. wheel ASS'Y	1
6	44601-AAA-0003	FR. cast wheel	1
7	44620-AAA-0000	FR. axle dist collar	1
8	44800-ATA-0000	SPDMT gear box ASS'Y	1
9	45121-AWU-0000	FR. brake disk	1
10	90106-N02-0002	FR. disk bolt 8*26	3
11	90306-AAA-0000	Self-lock nut 12MM	1
12	90754-M9Q-0000-M1	Dust seal 20*32*5	1
13	90912-M9Q-0000-M1	Bearing 6201(U) (NTN)	2
14	91258-M9Q-0000	SPDMT. gear box seal	1

F-10 Rear Wheel



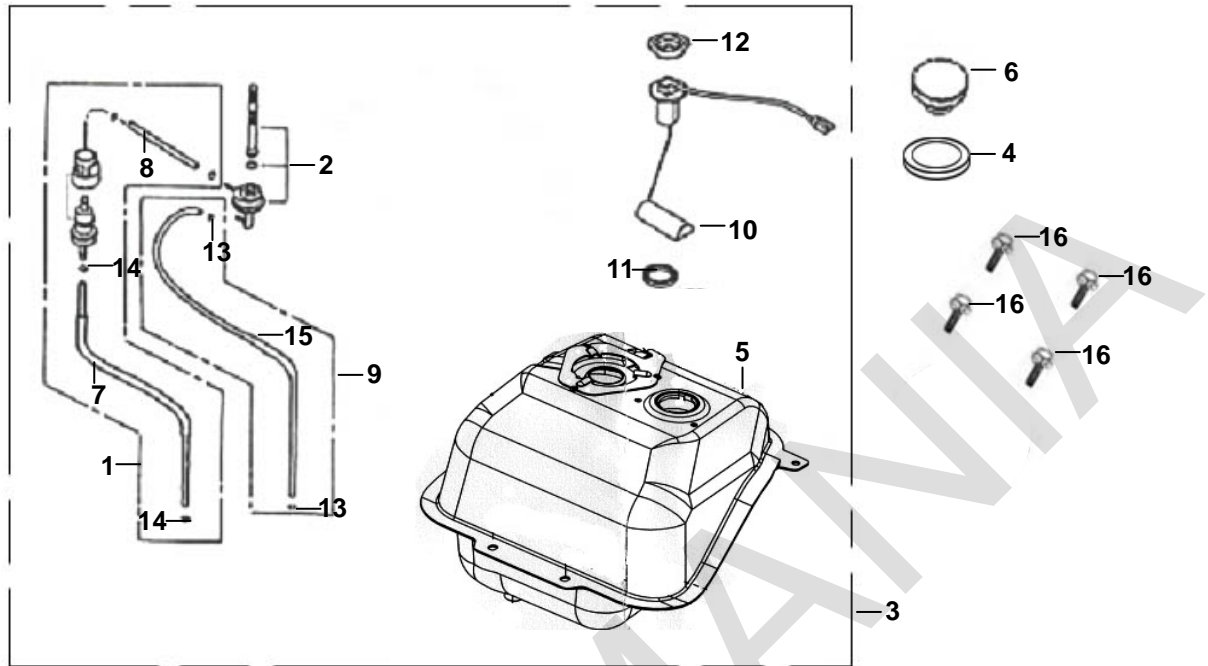
Ref. No	Part Number	Description	Reqd. No
1	35342-XDE-0000	FR. stop SW. COMP	1
2	42600-AE1-0000	RR. wheel ASSY	1
3	42601-AE1-0000	RR. cast wheel COMP	1
4	42710-ANG-0000	RR. tire	1
5	42753-ABA-0000	Rim vavle	1
6	43100-XJA-0000	RR. caliper ASSY	1
7	43105-ARB-0000	Pad COMP A	1
8	43106-ARB-0000	Pad COMP B	1
9	43126-AE1-0000	RR. brake hose COMP	1
10	43500-AE1-0000	RR. M/C ASSY	1
11	4350A-AE1-0000	RR. brake ASSY	1
12	45121-AWU-0000	RR. brake disk	1
13	53178-AE1-0000	L. STRG. handle lever	1
14	90145-M9Q-0000	Oil bolt 10*22	2
15	90545-M9Q-0000	Oil bolt washer	4
16	90131-ARB-0001	Flange bolt 8*35	2
17	90105-HHA-0000	RR. disk bolt 8*24	3
18	5210A-AEF-0000	RR. fork ASSY	1
19	52100-AEF-0000	RR. fork	1
20	11203-M9Q-3000	RR. CUSH. UN. rubber bush	1
21	95801-08035-07	Flange bolt 8*35	1
22	95801-08045-07	Flange bolt 8*45	2
23	95801-08064-07	Flange bolt 8X64	2

F-11 Seat • Rear Grip



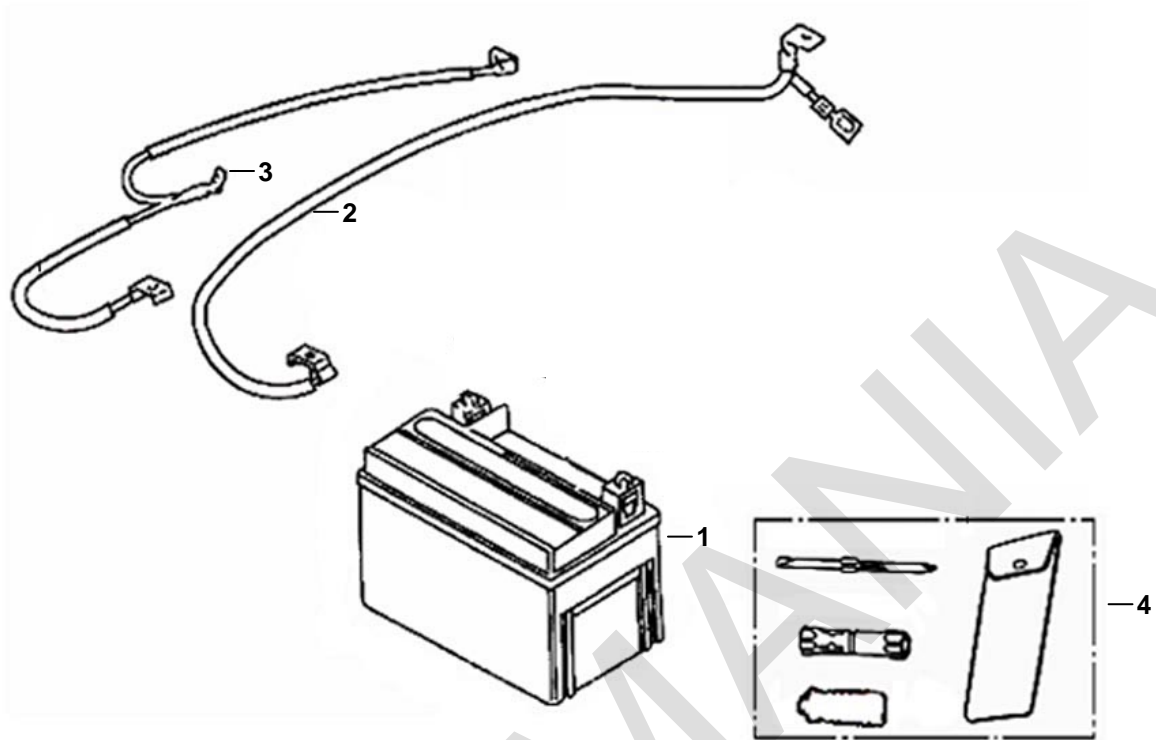
Ref. No	Part Number	Description	Reqd. No
1	36600-A1A-0101	ENG. start control SW.	1
2	77200-AWU-0000	Double seat COMP	1
3	77201-AAA-0000	Seat hinge COMP	1
4	81250-AAA-0003	Luggage box	1
5	81251-M9Q-0000	CARB. main cover	1
6	90115-ATA-0000	Flange bolt 6*16	4
7	94050-06040	Flange nut 6mm	2
8	90381-M9Q-0000	Special screw 6*17	1
9	90302-M92-0000	Spring nut 4MM	1
10	77230-AKA-0001	Seat catch	1
11	81205-AKA-0000	Seat catch BRKT COMP	1
12	77240-ABA-0001	Seat lock cable	1
13	95801-06012-04	Flange bolt 6x12	2

F-12 Fuel Tank



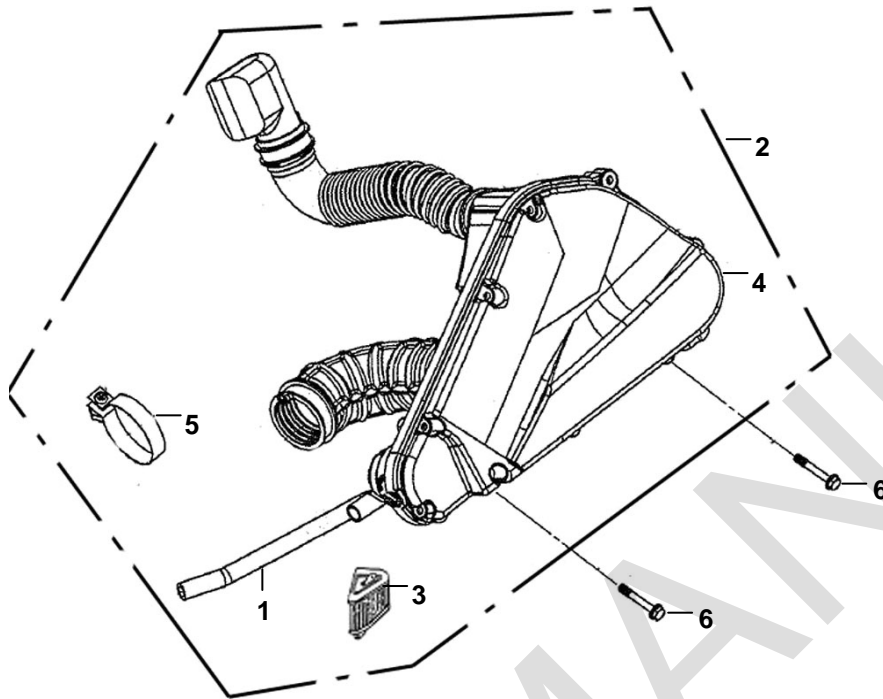
Ref. No	Part Number	Description	Reqd. No
1	1690A-ABA-0003	Fuel strainer ASSY	1
2	16950-M9Q-0001	Fuel cock ASSY	1
3	1750A-AE1-0000	Fuel tank ASS'Y	1
4	17506-APA-0004	Fuel guide rubber	1
5	17500-AE1-0000	Fuel tank COMP	1
6	17620-CT1C-A000	Fuel filler cap COMP	1
7	17682-ABA-0002	Fuel tube (400MM)	1
8	17683-AAA-0001	Fuel tube (170MM)	1
9	17684-ABA-0000	Vacuum tube ASSY	1
10	37800-ABA-0001	Fuel unit	1
11	37801-M9Q-0001	Base packing	1
12	37802-M9Q-0000	Ret fuel unit	1
13	95002-02070	Tube clip B7	2
14	95002-02070	Tube clip B8	4
15	95003-21025-20	Vacuum tube	1
16	95701-06025-00	Flange bolt 6X12	4

F-13 Battery • Tool Box



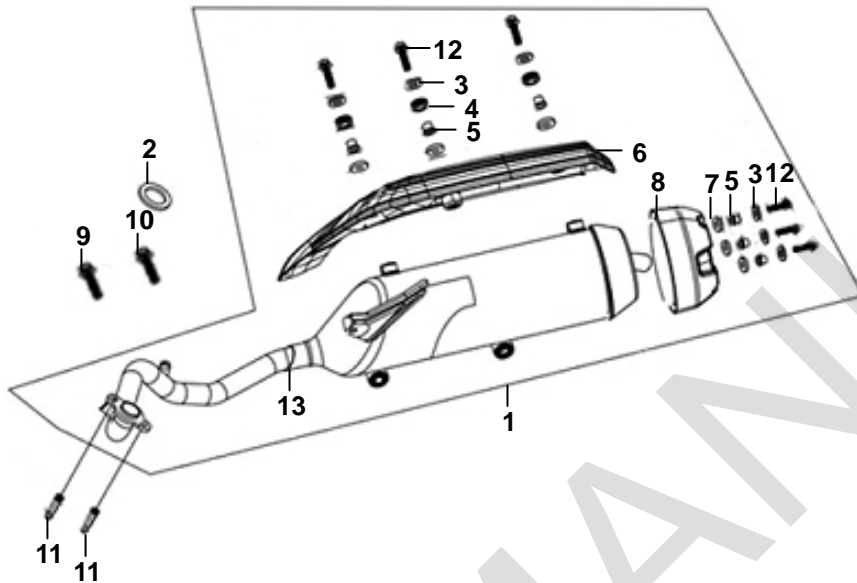
Ref. No	Part Number	Description	Reqd. No
1	31500-EG13-P000	Battery ASSY	1
2	32411-ABA-0100	Battery cable	1
3	32412-ABA-0001	Earth cable	1
4	89010-V1F-A001	Tool set	1

F-14 Air Cleaner



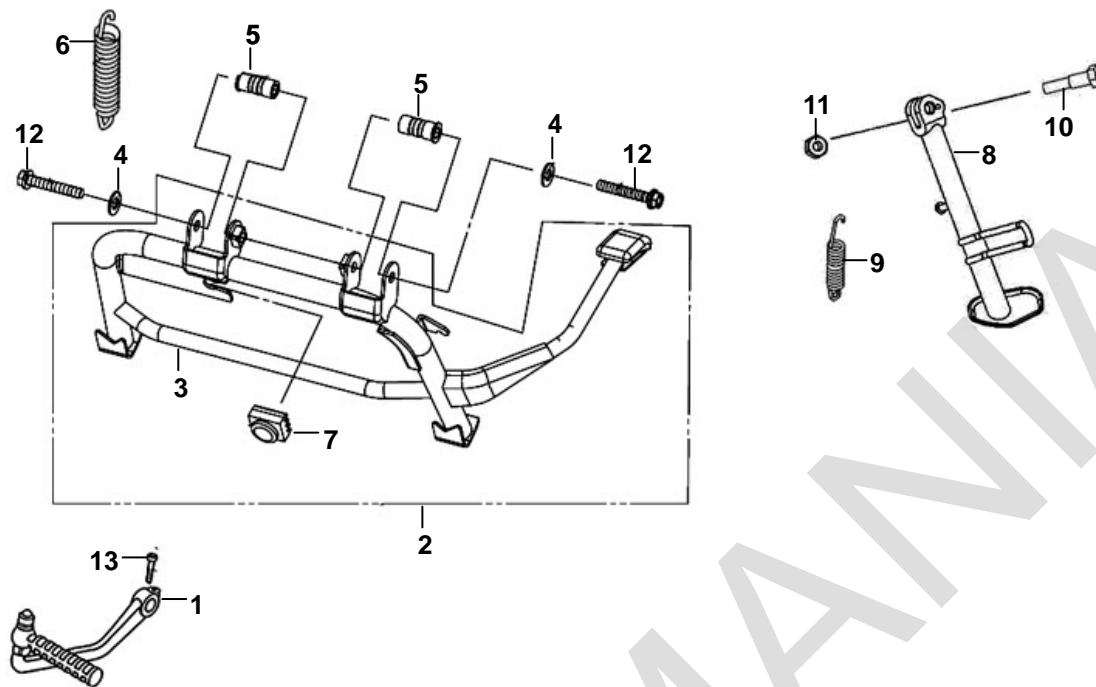
Ref. No	Part Number	Description		Reqd. No
1	11211-H68-0002	Breather tube	通气管	1
2	17200-ANA-0001	AIR cleaner ASSY.	空滤器	1
3	17211-M9Q-0001	AIR/C element COMP.	空滤器滤芯组	1
4	17231-ABA-0101	AIR/C cover COMP.	空滤器盖组	1
5	90652-M9Q-0000	AIR/C conn tube band 40MM	空滤连接管绑带	1
6	93404-06016-00	Flange bolt 6*16	缘面螺栓 6*16	2

F-15 Exhaust Muffler



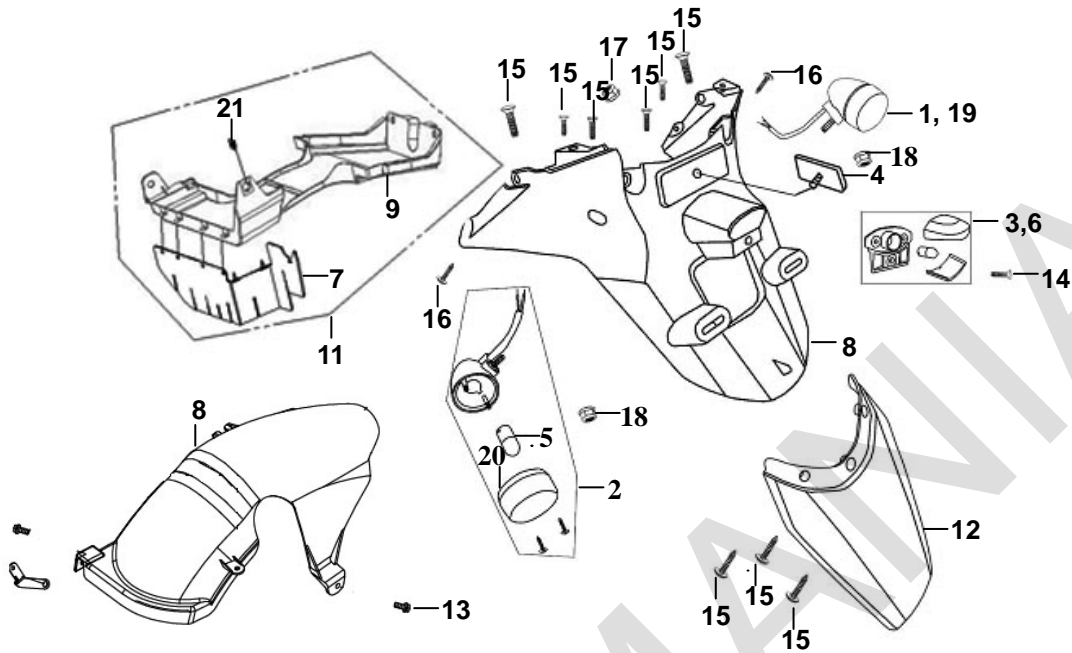
Ref. No	Part Number	Description	Reqd. No	
1	18000-AE1-0000	EXH. muffler ASSY.	排气管总成	1
2	18291-M9Q-0000-CN1	EXH. pipe gasket	排气管垫片	1
3	18292-F3E-0000	Protector packing A	石棉垫片 A	6
4	18320-F3E-0000	Protector rubber	护热盖橡皮	3
5	18295-F3E-0001	Collar M6	套环 M6	6
6	18318-HE1-0001	MUFF. protector	护热盖 A	1
7	90555-AMA-0000	Washer	垫片	3
8	18328-HE1-0000	Muffler rear protector	后护热盖 A	1
9	95801-08045-07	Flange bolt 8*45	六角缘面螺栓 8*45	1
10	95801-08055-07	Flange bolt 8X55	六角缘面螺栓 8*55	1
11	90301-V1F-A000	Nut muffler joint M7	排气管接头螺帽	2
12	96001-06022-49	SH. flange bolt 6*22	螺栓 6*22	6
13	18310-AE1-3000	Muffler COMP.	排气管本体	1

F-16 Main Stand • Kick Starter Arm



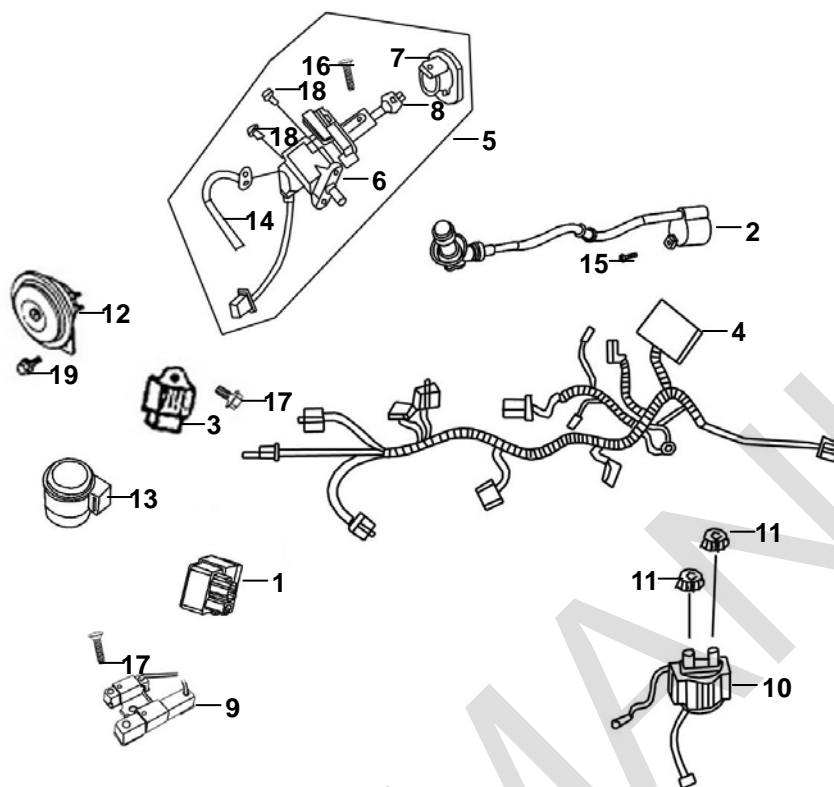
Ref. No	Part Number	Description	Reqd. No
1	28300-F6C-0000	Kick starter arm ASSY	1
2	5050A-ANA-0005	Main stand ASSY	1
3	50500-ANA-0005	Main stand COMP	1
4	50503-F6B-0000	Main stand washer	2
5	50504-Z6A-0000	Main stand collar	2
6	5052A-APA-0001	Main stand SPG. ASSY (GREEN)	1
7	50506-ABA-0000	Stand stop rubber A	1
8	50530-ABA-0002	Side stand COMP	1
9	50535-APA-0000	Side stand SPG. ASSY	1
10	90108-AAA-0000	Side stand pivot screw	1
11	94030-08000	HEX. nut 8MM	1
12	95801-08050-04	Flange bolt 8X50	2
13	95701-06022-07	Flange bolt 6*22	1

F-17 Rear Fender • Rear Inner Fender



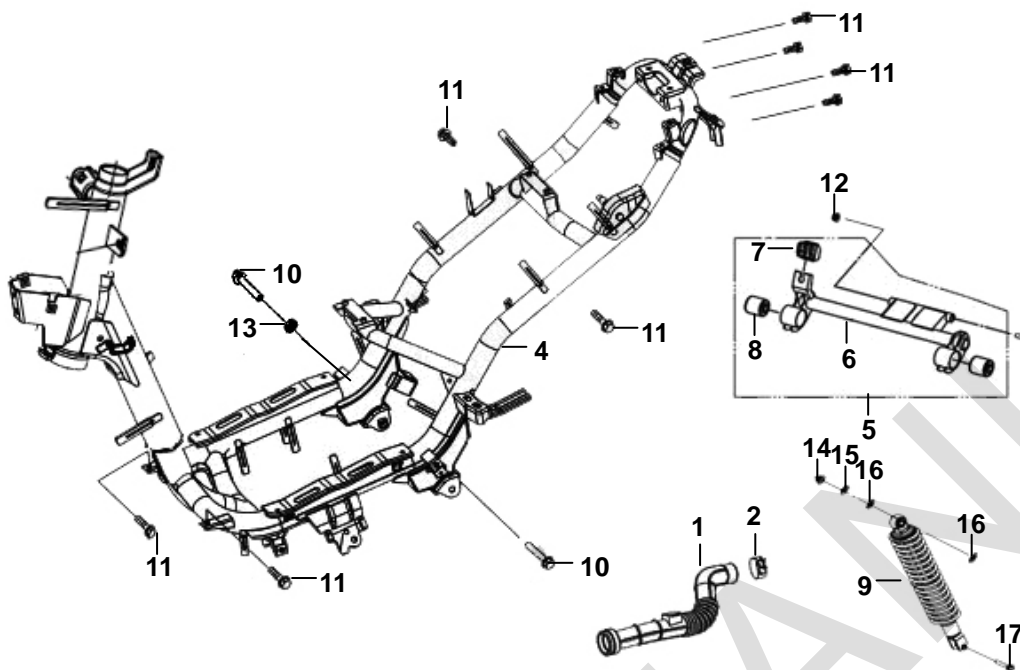
Ref. No	Part Number	Description	Reqd. No
1	33600-AEM-0000	RR R winker ASSY	1
2	33650-AEM-0000	RR L winker ASSY	1
3	33740-ABA-0000	License light ASSY	1
4	33741-ABA-0000	RR. reflex reflector	1
5	34905-M70-0000	Winker bulb	2
6	34908-M70-0000	Poition bulb	1
7	80104-ABA-0000	Splash board plate	1
8	80105-ABA-0001	RR. fender	1
9	80106-AE1-0000	RR. inner fender	1
10	80107-AWR-0000	RR. mudguard	1
11	8010B-AE1-0000	Inner fender ASSY	1
12	80110-AAA-0000	RR. fendder mudguard	1
13	95801-06012-04	Flange bolt 6x12	1
14	93891-05010-00	Washer screw 5X14	1
15	90109-42168	Tapping screw	10
16	90109-48168	Tapping screw 4X12	2
17	94050-05070	Flange nut 5MM	1
18	94050-05080	Flange nut 5MM	2
19	33602-U3A-0000	RR. R. winker lens	1
20	33652-U3A-0000	RR L. winker lens	1
21	90305-AAA-0000	Clip nut 6mm	1

F-18 Wire Harness



Ref. No	Part Number	Description	Reqd. No
1	30410-M92-0004	CDI. UNIT COMP	1
2	3051A-T7A-0000	IGN. COIL. ASSY	1
3	31600-ZDA-0001	REG. REC. COMP	1
4	32100-AEL-0000	Wire harness	1
5	35010-ABA-0000	Key set	1
6	35100-ABA-0000	Comb sw and lock ASSY	1
7	35110-ABA-0000	Ring	1
8	35111-TAA-1000	Key	1
9	35400-T3D-A001	Resistor COMP	1
10	35850-35A-A000	MAG. SW. COMP	1
11	35856-35A-A000	Start MAG. SW. NUT	2
12	38110-ABA-0001	Horn COMP	1
13	38300-T40-0101	Ap winker relay ASSY	1
14	77240-ABA-0001	Seat lock lable	1
15	90112-AAA-0000	Flange bolt 5X22	1
16	93891-05010-04	Screw washer 5X8	1
17	95801-06016-04	Flange bolt 6X16	2
18	95801-06018-08	Flange bolt 6X18	2
19	95801-08012-08	Flange bolt 8X12	1

F-19 Frame Body • Engine Hanger



Ref. No	Part Number	Description	Reqd. No	
1	11345-ABA-0005	L. cover duct	左盖冷却导管	1
2	11346-M9Q-0000	L. cover duct band	左盖冷却导管夹	1
3	44301-AAA-0000	Flange bolt 10*172	缘面螺栓 10*172	1
4	50100-AE1-0000	Frame body COMP.	车架	1
5	50350-ANA-0100	Eng hanger link ASSY.	引擎悬吊总成	1
6	50351-ANA-0100	Eng hanger link	引擎悬吊	1
7	50352-A1A-0000	Link stopper. rubber	制止橡皮	1
8	50353-M9Q-0000	Swing lock bush	锁付衬套	2
9	52400-AWR-0001	RR. cushion ASSY	后减震	1
10	90106-AAA-0000	Flange bolt 10*55(green)	缘面螺栓 10*55	2
11	95801-06012-04	Flange bolt 6x12	缘面螺栓 6x12	8
12	90304-AAA-0000	Flange. u nut 10mm (GREEN)	U型螺帽	1
13	90121-M9Q-0001	Distance collar	垫圈	1
14	94050-10040	Flange nut 10mm	缘面螺帽 10MM	1
15	94101-10400	Plain washer 10mm	平面垫片 10MM	1
16	94101-12400	Plain washer 12MM	平面垫片 12MM	2
17	95801-08035-04	Flange bolt 8*35	缘面螺栓 8*35	1

MOTOMANIA